

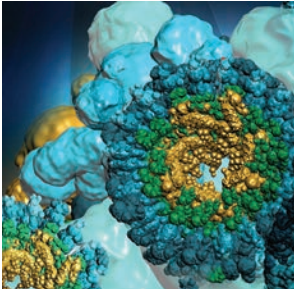
# Help Any Workflow Run Smoother

Accessories catalog for the Bravo liquid handling platform





Genomics



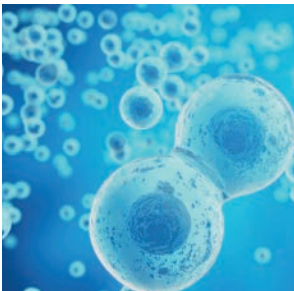
Proteomics



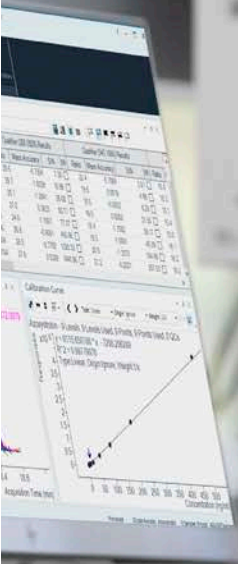
Metabolomics



Pharmaceuticals



Cell biology



# Meet the Agilent Bravo Automated Liquid Handling Platform

Achieve accurate and precise pipetting over a wide volume range to improve your data quality and consistency. The Bravo automated liquid handling platform has the versatility and scalability to provide you with an extensive choice of configurations and a unique, open design that assists integration into existing workflows in your laboratory. Incorporating the Bravo platform into your research will minimize the hours spent manually setting up and running complex applications.



Agilent Bravo automated liquid handling platform on risers

## High-accuracy liquid handling heads

Accurately, reliably, and reproducibly dispense 100 nL to 250  $\mu$ L into 96-, 384-, and 1536-well plates.

## 9-deck positions

An open, integration-friendly design that delivers maximum versatility for shaking, heating, cooling, and filtration.

## On-deck accessories

Configure the Bravo platform using custom settings for your applications.

## Available in two space-saving models

The Agilent Bravo is available in two models: the standard Bravo platform fits most laminar hoods and the Bravo SRT platform is three inches shorter to accommodate smaller hoods. Both versions enable automated liquid handling for cell-based assays or hazardous reagent handling. Their ease-of-use is facilitated by Agilent VWorks Automation Control software, which features an intuitive graphical user interface that makes it easy to create and run protocols, connect and configure accessory modules, and monitor progress.

# Table of Contents

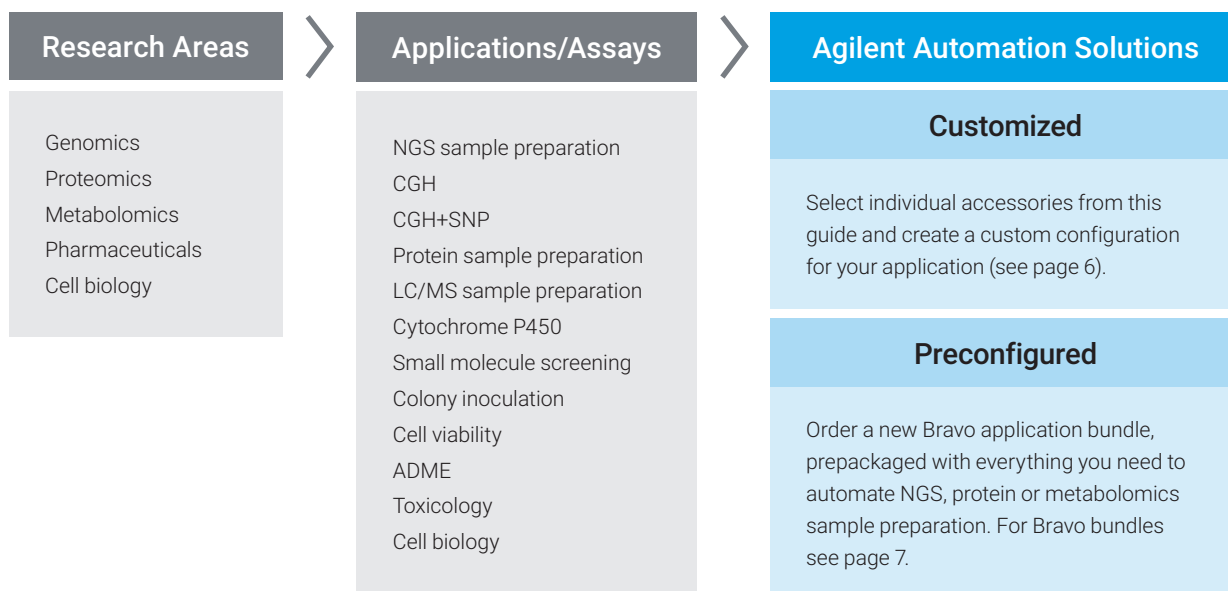
<b>Agilent Automation Solutions</b>	<b>5</b>
 Communication, I/O, Integration	8
 Identification	10
 Liquid Handling Heads	11
 Platepads and Inserts	13
 Reagent Reservoirs and Tip Wash Stations	16
 Separation	20
 Shaking and Temperature Control	22
 Trash, Disposable Tip	29
<b>Quick Accessory Selection Guide and Index</b>	<b>30</b>
<b>Customer Service and Technical Support</b>	<b>34</b>

# Higher Throughput and Greater Reproducibility For Your Laboratory

The Bravo platform offers an expansive line of tools that enable applications across all major life science research areas. The Agilent accessories showcased in this catalog are carefully designed tools used to create customized and turnkey solutions for a wide range of research and discovery applications. This catalog will help you explore the possibilities to make better use of your samples and process them with greater efficiency.

## Customize or choose preconfigured

With Agilent, you can choose a preconfigured hardware/accessory bundle based on a very specific application requirement, such as protein sample preparation with the AssayMAP Bravo package or sample preparation for Next Generation Sequencing (NGS). Alternatively, you can take a manual approach and select the specific accessories that allow you to freely customize the Bravo deck to meet changing assay requirements. Whether you are automating ADME assays or preparing and running cell viability assays, Agilent has the accessories and configurations to fit your workflow.



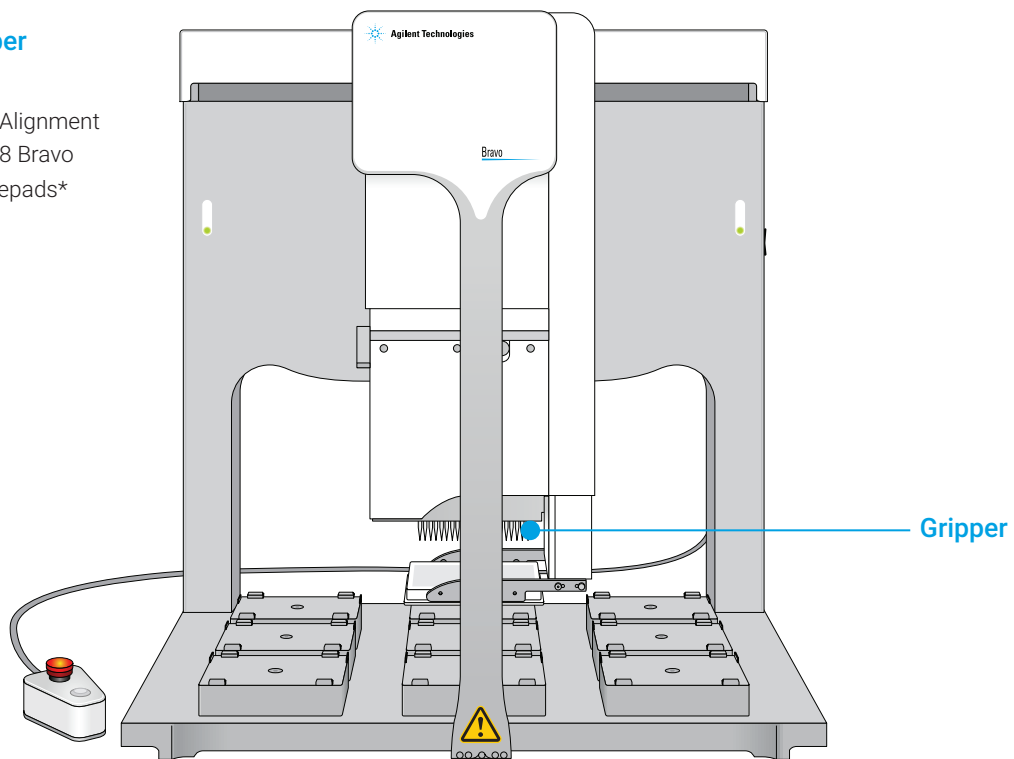
## Tailor the Bravo to your workflow

### Add accessories to the Bravo base platform

Agilent offers a base Bravo platform configuration with a 9-position, open deck that can be customized for your application using the accessories found in this guide.

#### Bravo with gripper G5563AA/GA\*

Includes 1 Passive Alignment  
Deck platepad and 8 Bravo  
Standard Deck platepads\*



\*G5563AA/G5562AA = Bravo automated liquid handling platform bundles. G5563GA/G5562GA = Bravo automated liquid handling platform bundles for Genomics application.

## Choose accessories to customize your Bravo platform

The versatile Bravo platform is easily adapted to a wide range of applications using the accessories in this catalog. Choose on-deck heating, cooling, shaking, and separation, or swap liquid handling heads to meet requirements for changing assays and throughput.

The sections included are shown below:

	Communication, I/O, Integration	8		Reagent Reservoirs And Tip Wash Stations	16
	Identification	10		Separation	20
	Liquid Handling Heads	11		Shaking And Temperature Control	22
	Platepads And Inserts	13		Trash, Disposable Tip	29

## Installation services—applications made easy

Whether you are choosing a new Bravo platform and accessories, or upgrading an existing Bravo platform for a new application, installation services can make the experience simple and straightforward.

Customers with a standalone Bravo platform may choose to install accessories themselves or take advantage of two levels of installation and training support. When a customer buys a Bravo platform, onsite accessory installation is included.

For accessory-only upgrades, most items in this catalog include a labor hours estimate for Agilent onsite field service installations as an option for installation and services, which may be added to the quotation. Estimates for an onsite visit from an applications expert are also available through an Agilent product specialist and Agilent's Professional Services department (as an optional add-on service).

Ready to order? Contact your local product specialist.



### Hardware expert

Field service engineers (FSEs) provide installation and familiarization (hardware installation and simple training basics).

### Applications expert

Field application scientists are available after the accessory has been installed and can provide in-depth training on the Bravo platform, accessories, or software.

## Agilent AC relay

The Agilent AC relay enables you to control power to an accessory located on the Bravo platform using VWorks Automation Control software. It is connected to the power source and the accessory. VWorks software control operates through a serial connection between the controlling computer and the AC relay.

There are currently no Agilent Automation Solutions products that require this item, but it is helpful if you are using a tool or device with your Bravo platform that only requires its power to be turned on or off.

- Requires AC power 100-240 V, 50/60 Hz (8 A Fuse)
- Provides serial connection to host PC running VWorks and allows VWorks control of compatible devices
- Includes AC relay, serial cable DB-9 M to DB-9 F, USB-to-serial adapter, power supply (24 V, 1.1A), USB cable, power supply, and country-appropriate power cord
- Estimated field service engineer (FSE) installation time is 1 hour (not included)

Description	Part No.
AC relay	G5498B/G #502

Ready to order? Contact your local product specialist.



Agilent AC relay

## Agilent risers

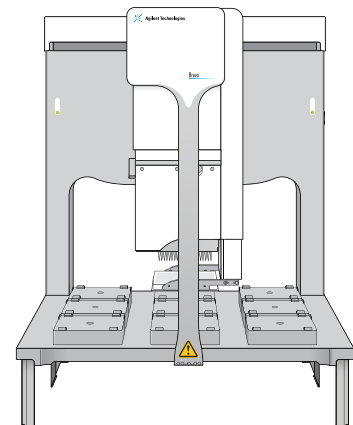
Flexibility is a key benefit of using the Bravo automated liquid handling platform. Agilent risers make it easier to add taller devices that must pass through the deck (locations 4 or 6), such as the Peltier thermal station or the deck position trash. For example, with on-deck trash, disposable tips can fall through the deck for more convenient collection.

Risers are also used for integration, such as when an automated microplate handler, robot, or other adjacent device must be placed at a higher level.

- Includes a set of two, 146 mm risers, and a set of four screws and washers
- Estimated FSE installation time is 1.5 hours (not included)

Description	Part No.
Risers, 146 mm	G5498B/G #055

Ready to order? Contact your local product specialist.



Agilent Bravo automated liquid handling platform with risers



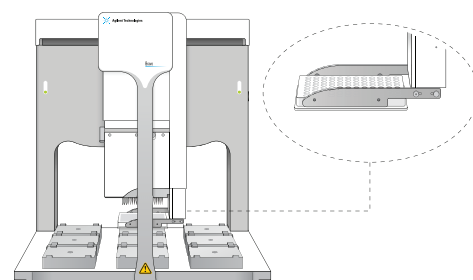
## Agilent gripper upgrade

The Agilent gripper upgrade allows a field service engineer to add a labware gripper to your existing Bravo platform. The gripper is used to pick up and place plates and tip boxes on the platepads of the Bravo deck. It can also move plates and pipette tips between the plate pads, but is not designed for off-deck placements.

- Includes labware gripper accessory, hardware components only
- Estimated FSE installation time is 8 hours (required, not included)

Description	Part No.
Gripper upgrade, non-RoHS Bravo	G5199A
Gripper upgrade, RoHS Bravo	G5597A

Ready to order? Contact your local product specialist.



Agilent Bravo with gripper upgrade

## Agilent light curtain

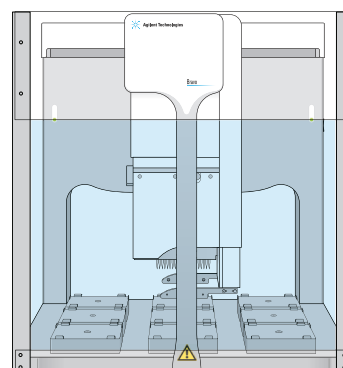
The Bravo platform light curtain arrives with a Bravo platform purchased in compliance with regional safety requirements, or it can be purchased separately and added to an existing Bravo platform.

As part of the safety interlock circuit, the light curtain works in a manner similar to the robot-disable pendant. Two light posts mounted at the front of the Bravo platform project light beams across the front of the device. If an object disrupts the light beams, the safety interlock circuit disables the pipette head motors.

- Includes a junction box for electrical and communication connections (derived from connection to the pendant port of Bravo), clear plastic shields for the front, sides, and rear opening of the Bravo
- The Agilent Accessories Hub can replace the junction box to simplify the deck layout
- Estimated FSE installation time is 2 hours (not included)

Description	Part No.
Light curtain, Bravo	G5498B/G #022
Light curtain, Bravo SRT	G5498B/G #522
Bravo dust cover for std light curtain	G5498B/G #122
Bravo wrap around light curtain (for std Bravo and Bravo SRT)	G5598A

Ready to order? Contact your local product specialist.



Agilent Bravo platform with light curtain

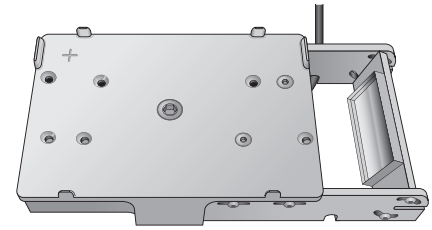
## Agilent mirrored barcode reader

The Agilent mirrored barcode reader reduces errors and saves time tracking samples. It is compatible with machine readable linear (1D) barcode labels and is used to identify samples and match them with relevant information through a database lookup. It replaces a platepad at any deck position and is compatible with VWorks Automation Control software.

- Works with any serial port or the Bravo Accessory Hub
- Compatible symbologies include code 39, code 128, interleaved 2 of 5, code 93
- Barcode height 3.34 mm (0.13 in) or higher
- Required print contrast 25% at 650 nm
- Includes mirrored barcode reader
- Estimated FSE installation time is 1.5 hours (not included)

Description	Part No.
Mirrored barcode reader	G5498B/G #031

Ready to order? Contact your local product specialist.



Agilent mirrored barcode reader

Agilent offers an automation friendly microplate labeler that prints and applies 1D or 2D adhesive labels directly to microplates.

## Agilent disposable-tip pipette heads

Many of today's laboratory liquid handling applications require the use of disposable tips to prevent carryover/contamination (for example, PCR). The Bravo platform uses interchangeable disposable-tip liquid handling heads that, when combined, cover a very wide volume range (300 nL to 250  $\mu$ L).

Agilent pipette heads are designed to be easily mounted or exchanged and to offer the advantage of being more forgiving than metal-tipped, fixed-tip heads during collisions, increasing uptime during the life of your instrument.

### Single-well, column, row, array, and full plate liquid handling

The Bravo platform provides liquid handling automation for microplates, including low volume single-well, column, row, array, and full plate liquid handling.

Disposable-tip pipette heads can aspirate or dispense into one sample well or an array of sample wells (which include a corner and are contiguous). This is primarily used for single-tip cherry picking and occasionally for multiple-tip or array cherry picking. This feature is available in Agilent's VWorks Automation Control software, within the Bravo platform's liquid handling tasks (Set Head Mode). The Set Head Mode allows use of all tip barrels, full columns, full rows, or partial rows and columns.

### Liquid handling performance\*

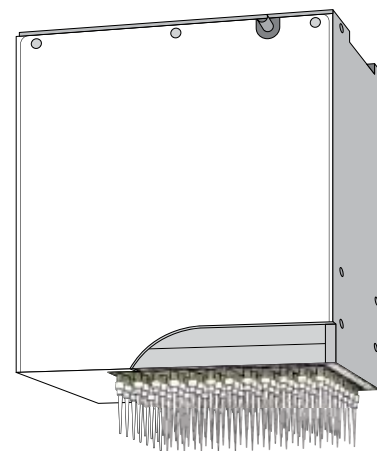
Together, Agilent disposable-tip pipette heads and tips cover a pipetting volume range from 300 nL to 250  $\mu$ L with 5% CV. High precision is achieved by optimizing each head for a specific portion of the pipetting volume range. Typical %CVs for dispensing 2  $\mu$ L are 2.1% using DMSO. Agilent pipette heads are designed to be compatible with most common life science laboratory reagents and, with optimization, CVs better than 5% can be achieved across many liquid types.

Agilent disposable-tip heads are designed to work in two liquid volume ranges: small transfer (ST) and large transfer (LT).

*\*Agilent Bravo platform performance data is based on the use of Agilent-certified thin-walled, low-retention tips and optimized liquid classes.*

Description	Maximum Volume	Compatible Well Formats	Part No.
384ST 384-Well disposable-tip pipette head	70 $\mu$ L	96-, 384-, or 1536-well	G5056A/G
96ST 96-Well disposable-tip pipette head	250 $\mu$ L	96- or 384-well	G5057A/G
96LT 96-Well disposable-tip pipette head	70 $\mu$ L	384- or 1536-well	G5055A/G

Ready to order? Contact your local product specialist.



Agilent disposable-tip pipette head

To learn more about Agilent certified disposable pipette tips, visit [www.agilent.com/lifesciences/pipettetips](http://www.agilent.com/lifesciences/pipettetips)

### Agilent AssayMAP microchromatography head and accessories

The Agilent Bravo platform for AssayMAP technology provides open access, walkaway automation for complex sample preparation workflows. The platform is equipped with a Bravo 96AM head containing containing 96 ultra-low dead-volume syringes, which are capable of highly precise positive-displacement flow control in either direction. The Bravo 96AM head is designed to be easily installed and removed by a user.

When paired with AssayMAP cartridges, the platform delivers a high-throughput, high-precision solution for affinity purification and quantitation of antibodies, post-translational modifications, and biomarker research and development.

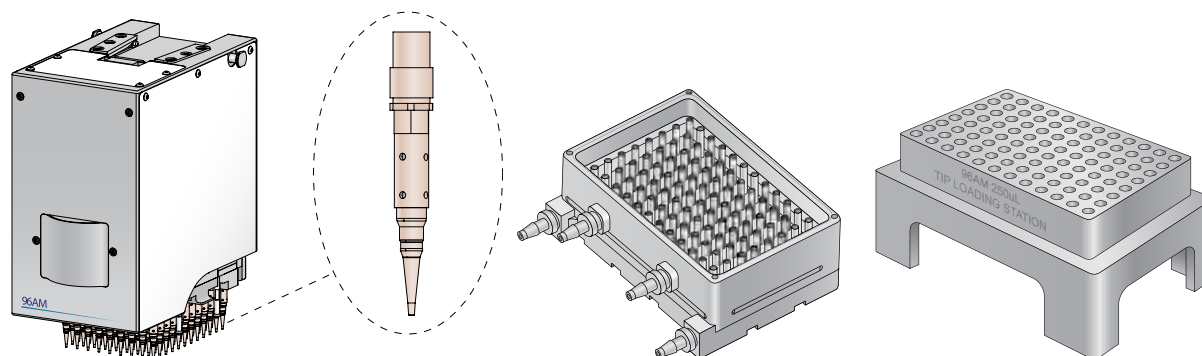
Adding AssayMAP capability to an existing Bravo platform requires the components listed below, as well as AssayMAP cartridges. Different AssayMAP cartridge workflows may require alternate accessory configurations.

Description	Part No.
AssayMAP head	G5058A
96AM tip wash station	G5498B/G #057
Pump module 2.0	G5498B/G #058
96AM cartridge and tip seating station*	G5409-20025

\* Mounting 250  $\mu$ L LT tips requires the 96AM cartridge and tip seating station (special tip holder) instead of a 250  $\mu$ L tip box.

Ready to order? Contact your local product specialist.

To learn more about Agilent AssayMAP technology, visit [www.agilent.com/lifesciences/assaymap-bravo](http://www.agilent.com/lifesciences/assaymap-bravo)



Agilent Bravo 96AM head, wash station, and cartridge and tip seating station

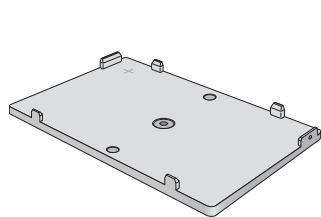
## Agilent platepads

The deck of the Bravo has been designed to be compatible with a wide range of labware, tip boxes, and devices through the use of standard and specialized platepads and inserts. Most platepad hardware can be easily relocated by an end-user, but there may be software or protocol constraints that govern when and where certain platepad types may be used.

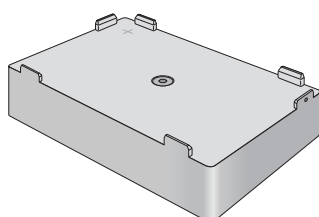
- May be located in any deck position
- Estimated FSE installation time is 0.5 hours (not included)

Description	Part No.
Deck platepad, short (standard Bravo SRT)	G5498B/G #005
Deck platepad (standard Bravo)	G5498B/G #004
Bravo platepad, closed corners	G5498B/G #125
Portrait platepad for Bravo	G5498B/G #014

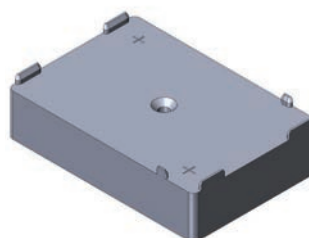
Ready to order? Contact your local product specialist.



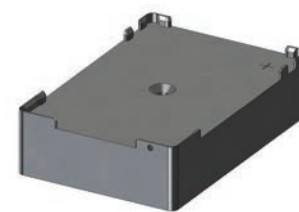
Agilent deck platepad, short



Agilent deck platepad



Agilent portrait platepad for Bravo



Agilent Bravo platepad, closed corners

## Glossary of terms

**Platepad**—holds microplate on deck

**Alignment station**—platepad designed to align microplates and tip boxes

**Tip box platepad**—holds tip boxes on deck

**Insert**—sits within platepad to hold compatible devices in place (for example, teach plate or thermal plate insert)

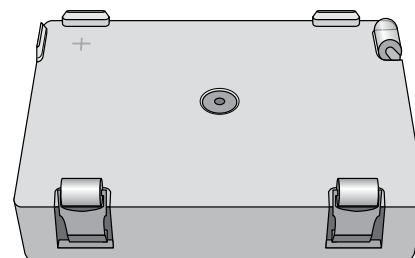
## Agilent alignment station

The Agilent alignment station improves the alignment and positioning of microplates and tip boxes. It is recommended for 384-tip boxes and can be located in any deck position.

- Included in some Bravo platform configurations
- Estimated FSE installation time is 0.5 hours (not included)

Description	Part No.
Alignment station (passive, 3-springed rollers 384/1536 plates, ST tip boxes)	G5498B/G #028

Ready to order? Contact your local product specialist.



Agilent alignment station

# Platepads and Inserts

## Agilent tip box platepads

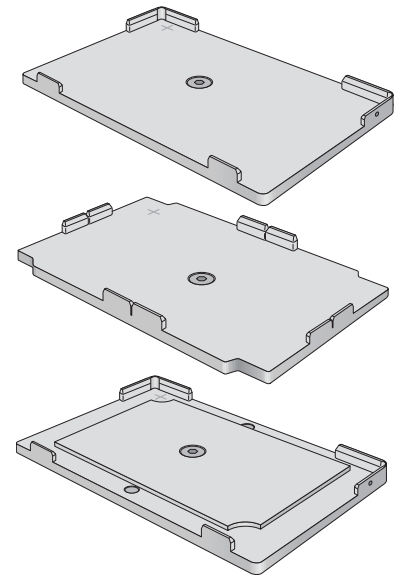
Agilent disposable tip box platepads provide extra support and improve the alignment of disposable tip boxes. They may be located in any deck position and are also known as tip loading stations.

- Estimated FSE installation time is 0.5 hours (not included)

Description	Part No.
ST tip loading station (Bravo SRT)	G5498/G #029
LT tip rack insert, for legacy 200 µL tips (Bravo SRT)	G5498/G #007
SRT platepad for 250 µL LT tip boxes	G5498/G #020

*Note: The Agilent Bravo platform works in two liquid volume ranges: small transfer (ST) and large transfer (LT).*

Ready to order? Contact your local product specialist.



Agilent deck platepads: ST tip loading station, SRT platepad, and LT tip rack insert

## Agilent inserts

Agilent inserts are typically passive, machined metal blocks that sit on a platepad on the Bravo deck. They can be used in various configurations with other Agilent accessories for the Bravo platform.

There are three kinds of inserts available:

- **Nested rack**—supports nested disposable tips, to save deck space
- **Teach plate**—marked with a cross, for teaching individuals how to use the Bravo where labware is located on deck
- **Thermal plate**—improves heat transfer to microplates on a standard or Peltier thermal station

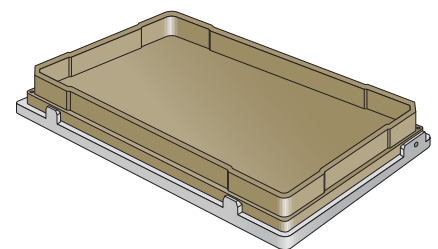
### Nested rack insert

The Agilent nested rack insert is required for use with nested tips when they are used with small transfer (ST) heads. They can be located in any deck position on a regular Agilent platepad, but not on a tip box platepad.

- Estimated FSE installation time is 0.5 hours (not included)

Description	Part No.
Nested rack insert	G5498/G #003

Ready to order? Contact your local product specialist.



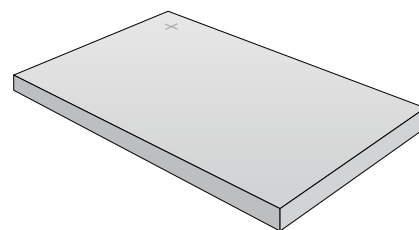
Agilent nested rack insert on a Bravo SRT platepad

## Teach plate insert

The Agilent Teach Plate Insert is marked with a cross and is used to adjust the teachpoint for an accessory, such as the orbital shaking station, after it has been installed on the Bravo deck. It is included with all new Bravo platforms and can be placed in any deck position.

Description	Part No.
Teach plate, HW1	G5550-17692

Ready to order? Contact your local product specialist.



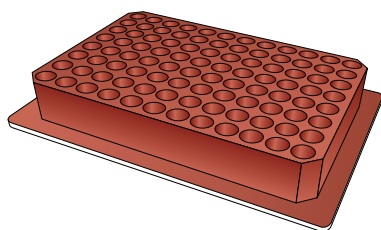
Agilent teach plate insert

## Thermal plate insert

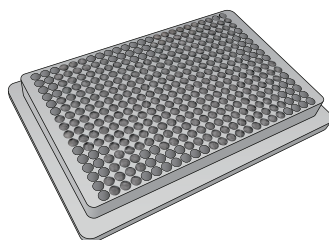
Agilent thermal plate inserts improve heat transfer to microplates when they are placed on a standard thermal or Peltier thermal station.

Description	Part No.
PCR plate insert	G5498B/G #013
Insert 384 Eppendorf twin.tec PCR	G5498B/G #060
Deep-well plate insert	G5498B/G #012
Thermal insert, U-bottom	G5498B/G #126
Thermal insert, deep-well	G5498B/G #127
Bravo labware riser, 28.4 mm	G5498B/G #061

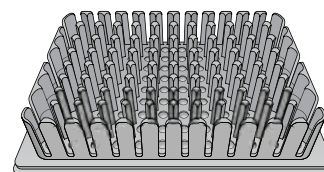
Ready to order? Contact your local product specialist.



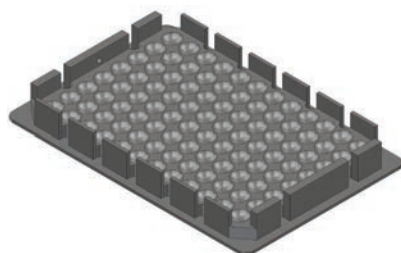
Agilent PCR plate insert



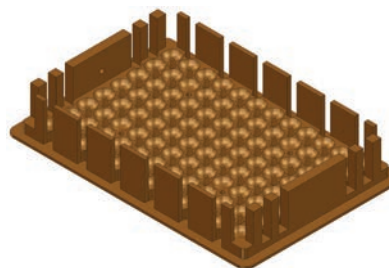
Agilent insert 384 Eppendorf twin.tec PCR



Agilent deep-well plate insert



Agilent thermal insert, U-bottom



Agilent thermal insert, deep-well

## Agilent reagent reservoirs and tip wash stations

Agilent offers three different types of reagent reservoirs:

- Open reservoirs
- Reservoirs with overflow troughs
- Reservoirs with arrays of individual tip chimneys (96 or 384)

Agilent reagent reservoirs are approved for use with many reagents and solvents commonly used in life science applications. If you have questions on the use of a particular chemical or solvent in an Agilent reservoir, contact Automation Solutions Technical Support before use.

### Agilent autofilling reservoir—good efficiency

The Agilent autofilling reservoir is an open reservoir that can supply reagents to 96- and 384-channel pipette heads while providing **good efficiency** in washing tips and conserving precious wash fluid. The autofilling accessory is compatible with an optional weigh station and may be located in any deck position.

Although open reservoirs are typically used to hold reagents and reservoirs with chimneys are used to wash tips, both can be used for either application depending on the wash fluid or reagent and its sensitivity to air or light.

Agilent autofilling accessories can be automatically filled or drained with VWorks using the peristaltic pump module (purchased separately).

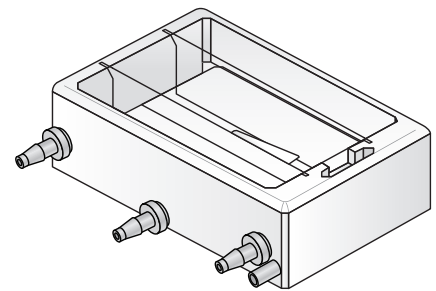
- Estimated FSE installation time is 1 hour (not included)

Description	Part No.
Autofilling reservoir	G5498B/G #053

Ready to order? Contact your local product specialist.

### Integration tips

- Requires pump module
- Pump is VWorks controlled
- Ideal deck locations: 1, 2, and 3
- Compatible with all Bravo and Bravo SRT models



Agilent autofilling reservoir



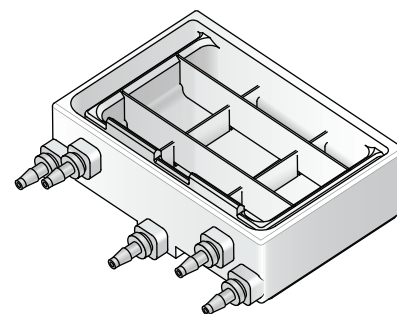
## Agilent open bath tray<sup>1</sup>—Better efficiency

This is an open tray that can supply reagents to 96- and 384-channel pipette heads. It has an overflow trough to reduce the mixing of fresh and spent fluids. It provides **better efficiency** for washing tips and conserving precious wash fluid. It is an autofilling accessory that is compatible with the optional Agilent weigh station and may be located in any deck position.

- Estimated FSE installation time is 1 hour (not included)

Description	Part No.
Open bath tray	G5498B/G #048

Ready to order? Contact your local product specialist.



Agilent open bath tray

## Tip wash stations<sup>2</sup>—Best efficiency

This reservoir has individual tip chimneys and an overflow trough to reduce the mixing of fresh and spent fluids. It demonstrates the **best efficiency** in washing tips and conserving precious wash fluid. It is an autofilling accessory that is compatible with the optional Agilent weigh station and may be located in any deck position.

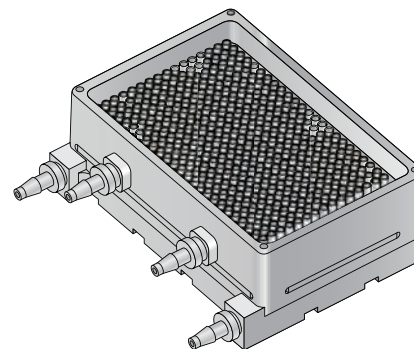
- Estimated FSE installation time is 1 hour (not included)

Description	Pipette Head Compatibility	Part No.
384-chimney	384-well	G5498B/G #052
96-chimney	96-well or 384-well	G5498B/G #051
AssayMAP (96)	AssayMAP Bravo	G5498B/G #057
96-channel wash station		G5498B/G #090

<sup>1</sup>Formerly the open wash reservoir and open wash station.

<sup>2</sup>Also known as the MicroWash reservoir.

Ready to order? Contact your local product specialist.



Agilent 384-chimney tip wash station

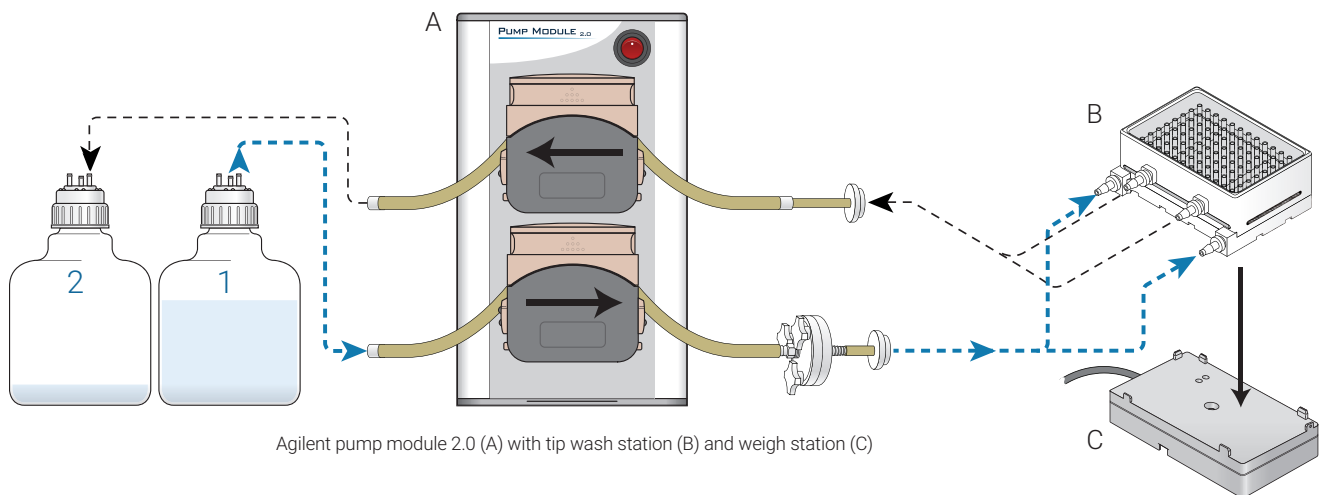
## Agilent peristaltic pump module 2.0

The Agilent peristaltic pump module 2.0 can be used with autofilling accessories to automatically fill reagent reservoirs. It works with the optional Agilent weigh station, which, when properly configured in Bravo Diagnostics, can be used to ensure that the reservoir or tray is filled to a constant liquid level during the pump reagent task in a protocol. By monitoring the weight of the reservoir that sits on it, the weigh station controls when the pump module is activated. One pump module is used for each pairing of reservoir and weigh station. The weigh station replaces a standard Bravo platepad.

- Uses a dedicated RJ45 serial connector on the Bravo
- Operates under full VWorks Software Control
- Estimated FSE installation time:
  - Pump module: 1.5 hours (not included)
  - Weigh station: 2.0 hours (not included)

Description	Part No.
Pump module 2.0	G5498B/G #058
Pump tubing kit	G5498B/G #001
Weigh station	G5498B/G #030

Ready to order? Contact your local product specialist.



## Manual fill reservoirs

The Agilent manual fill reservoir is an open tray, made of polypropylene, which can be installed on a platepad in any position to supply reagents to 96- and 384-channel pipette heads.

It has been optimized for use with 96-well and 384-channel pipette heads and has grooved slots to minimize dead volume, capture and collect precious reagents, and minimize waste. You must manually refill and empty the reservoir.

Automation solutions reservoirs are approved for use with many reagents and solvents commonly used in life science applications. If you have questions on the use of a particular chemical or solvent in an automation solutions reservoir, contact Automation Solutions Technical Support before use.

- Both manual fill reservoirs hold a maximum volume of approximately 150 mL (actual maximum volume varies by application)
- Both manual fill reservoirs have been designed to minimize dead volume (liquid that cannot be aspirated); actual dead volume varies by application and is affected by tip size, diameter, and other characteristics
- Estimated FSE installation time is 1 hour (not included)

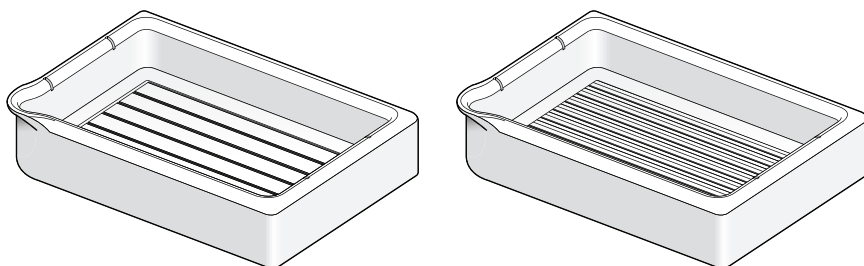
Description	Part No.
Manual fill reservoir (96-well)	G5498B/G #049
Manual fill reservoir (384-well)	G5498B/G #050

Ready to order? Contact your local product specialist.

## Reservoir chemical properties

- Made of polypropylene
- Autoclaving and sterilization is not recommended, as warping may occur
- Offers good chemical resistance to water, DMSO, and many acids and bases at low concentrations
- Suitable for use with certain acids, bases, and solvents at room temperature (for example, acetic acid, and ethyl and methyl alcohol)
- Not recommended for use with concentrated acids or some bases at elevated temperatures

Contact Automation Solutions Technical Support for more information.



Agilent manual fill reservoirs (96-well and 384-well)

## Agilent vacuum filtration station

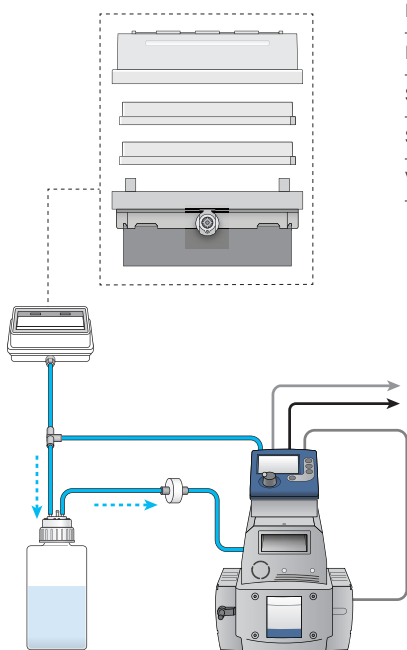
Agilent provides an array of components to make separations simple, quick, and productive. These components are assembled and tested to work with the Bravo liquid handling platform and VWorks software.

The Agilent vacuum filtration station features a microplate-sized manifold footprint that can be used in locations 1, 2, or 3. It works along with an optional, small, quiet vacuum pump under direct VWorks control. It is compatible with both filter-to-waste and filtrate collection applications. Separations can be performed manually or in the fully automated mode using the Bravo gripper to stack and unstack the Vacuum filtration station components. This device is also known as the custom Agilent/Millipore MultiScreen HTS vacuum manifold package.

- Requires a vacuum source (not included)
- Two manifold kits are available to choose from, depending on vacuum source: Agilent vacuum pump or house vacuum/third-party vacuum pump
- Optional Agilent vacuum pump is quiet and is compatible with VWorks software (11.2 or greater)
- Includes a 1 to 2 L vacuum trap bottle, a 1 to 2 L filter-to-waste bottle, 1 vacuum manifold kit, 1 teach plate, filters to protect the pump (10/pk), a short deck platepad, Tygon tubing, miscellaneous fittings, connectors, and fasteners
- Estimated FSE installation time is 1.5 hours (not included)

### Integration tips

- Requires vacuum source
- Agilent vacuum pump module is VWorks-controlled
- Ideal deck locations: 1, 2, or 3
- Requires Bravo gripper for automated assembly and disassembly
- Compatible with all Bravo and Bravo SRT models



Agilent vacuum filtration station without valves (vacuum pump sold separately) and Agilent vacuum filtration station with valves

Description	Part No.
Bravo vacuum filtration station w/pump	G5432B/G
Bravo vacuum filtration station w/valves (no pump)	G5432B/G #001
Spacer, Bravo 0.5 in, 1 each	G5498B/G #062
Spacer, Bravo 0.09 in, 1 each	G5498B/G #063
Vacuum manifold tall skirt/collar	G5498B/G #069

Ready to order? Contact your local product specialist.

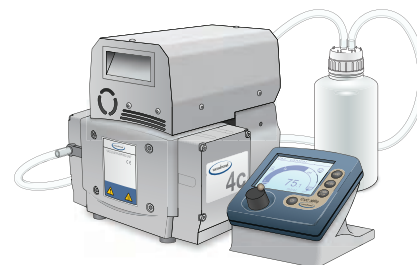
## Agilent vacuum pump

The Agilent vacuum pump offers quiet, efficient operation in a small footprint under direct VWorks control. It is also known as the custom Agilent/Vacuubrand vacuum pump ME 4C NT VARIO.

- Compatible with VWorks software (11.2 or greater)
- Features built-in vent valve and pressure transducer (gauge)
- Includes 0.91 m (3 ft) communication cable DB9F null modem, ME 4C NT VARIO vacuum pump, CVC 3000 controller with LCD panel, Pump Instruction Guide
- Estimated FSE installation time is 1 hour (not included)

Description	Part No.
Vacuum pump	G5498B/G #027

Ready to order? Contact your local product specialist.



Agilent vacuum pump and controller

## Agilent magnetic bead accessory

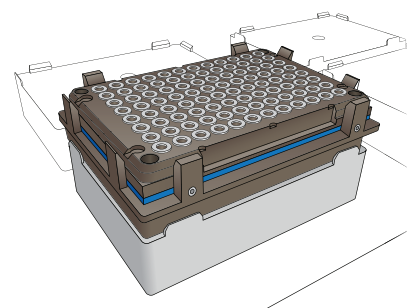
The Agilent magnetic bead accessory fits on a standard Bravo deck platepad and is designed to separate smaller volumes (up to 350  $\mu$ L). It can be located in any deck position and is featured in all Agilent Bravo NGS workstation packages. It is also known as the custom ALPAQUA 96S Super Magnet Plate package.

The Agilent magnetic bead accessory is compatible with a range of common labware in standard and deep-well formats.

- Standard height options include many 96-well U-bottom and V-Bottom plates: Costar 3795 series, most PCR plates (full, semi, or nonskirted); Axygen P-96-450R-C 450  $\mu$ L shallow plate with larger diameter wells, Axygen P-1 mL-SQ-C half deep-well plate.
- Deep-well options include Abgene AB\_1127 half deep-well, AB\_0661, and Ritter Riplate (2 mL)
- The Agilent magnetic bead accessory is incompatible with Eppendorf TwinTec 96-Well PCR plate (with rigid frame)
- Estimated FSE installation time is 1 hour (not included)

Description	Part No.
Magnetic bead accessory	G5498B/G #008

Ready to order? Contact your local product specialist.



Agilent magnetic bead accessory

## Shaking and Temperature Control

### Agilent controllers for heating, cooling, and shaking devices

Many of the products featured in this section are customized INHECO devices that are controlled by INHECO TEC control units (temperature/rpm control).

TEC controllers are available in two versions: Single Tec Control (STC), which controls a single compatible device; and Multi Tec Control (MTC), which controls up to six compatible devices. TEC controllers are purchased separately for most devices, except where indicated.

- USB communication with host PC running VWorks Automation Control software
- Accuracy  $\pm 0.5$  °C
- Universal input 100 to 240 V AC, 50/60 Hz
- Output: STC 1 x 24V DC, 4.5 A; MTC 6 x 24 V DC, 4.5 A
- Dimensions (l x w x h); weight
- STC: 224 x 177 x 146.5 mm (8.82 x 6.97 x 5.77 in); 3.3 kg (8.9 lb)
- MTC: 255 x 248 x 185 mm (10.0 x 9.73 x 7.28 in); 5.5 kg (14.8 lb)
- Includes STC or MTC unit, USB memory stick with manuals, USB cable, and country-appropriate power cord
- Estimated FSE installation time is 2 hours (not included)

#### Integration tips

- USB communication
- VWorks Software Control
- See individual device specifications for temperature range
- Compatible with all Bravo and Bravo SRT models

Description	Part No.
STC controller (one device)	G5498B/G #016
MTC controller (six devices)	G5498B/G #015

Ready to order? Contact your local product specialist.



INHECO STC controller



INHECO MTC controller

## Agilent orbital shaking station

The Agilent orbital shaking station is designed to agitate liquid within tissue culture plates or microplates in typical life sciences applications. It is a magnetic shaker with its own wired, combination remote control and power supply. The compact orbital shaking station replaces a standard deck pad, when placed on the adapter pad (included), and may be located in any deck position.

The orbital shaking station automatically returns to its original start position to ensure safe, continuous, unattended operation. The automatic startup function ensures a gradual start to the shaking process to reduce sample splashing. The inductive drive is wear-free and maintenance-free. It is also known as the custom INHECO Teleshake and includes the control unit as shown.

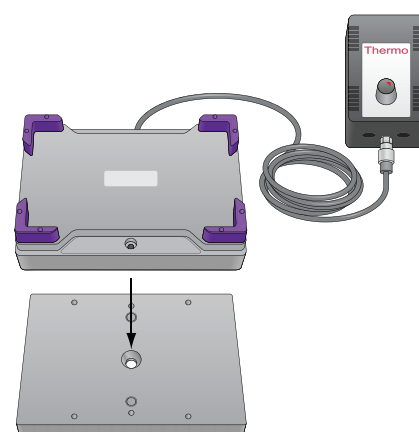
- Compatible with VWorks Automation software
- Use with any serial port or the Agilent Accessory Hub
- Input Voltage 115V 50/60 Hz or 230V 50/60 Hz
- Rotation speed range: 100-2,000 rpm; amplitude: 2.2 mm
- Dimensions (l x w x h); weight
- Orbital shaking station  
146 x 103 x 39 mm (5.75 x 4.06 x 1.54 in); 2000 g (4.41 lb)
- Control unit  
65 x 100 x 85 mm (2.56 x 3.94 x 3.35 in); 500 g (1.10 lb)
- Includes orbital shaking station, control unit, teach plate, USB-to-serial adapter, orbital shaking station integration plate for mounting directly to deck, module connecting cable, and serial RS-232 connecting cable to PC
- Installation by a FSE is optional

Description	Part No.
Orbital shaking station includes control unit	G5431B/H
Orbital shaking station, high speed, includes control unit	G5431B/H #001

Ready to order? Contact your local product specialist.

### Usage tips

- Rectangular sample wells provide better mixing performance than cylindrical or conical wells
- 384- and 1536-well plates with conical wells are less suitable for very high shaking frequencies
- Maximum shaking frequency of 2,000 rpm may not be attainable with filled plates weighing >200 g
- Maximum shaker load is 500 g



Agilent orbital shaking station with control unit and mounting plate

# Shaking and Temperature Control

## Agilent heating shaking station

Many of the products featured in this section are customized INHECO devices that are controlled by INHECO TEC control units (temperature/rpm control). The controllers can be bought separately for most devices except where indicated.

The Agilent heating shaking station replaces an existing platepad and can be located in any deck position. This combination heating and shaking station requires the use of an INHECO STC or MTC controller. It is also known as the custom INHECO Teleshake 95.

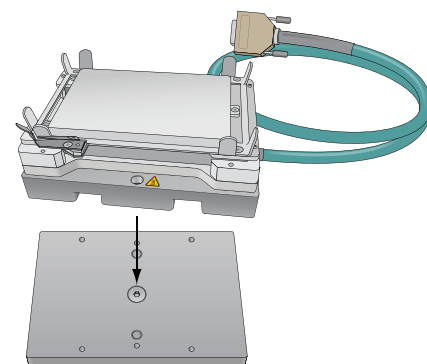
- VWorks automation software compatible
- 24V DC power is provided through the required INHECO controller, which has a universal power supply and can be bought separately (see page 28 for INHECO controllers)
- Heating capacity: 100 Watts
- Temperature range: ambient to + 95 °C
- Maximum frequency: 2,000 rpm (varies with load); amplitude: 2 mm
- Dimensions (l x w x h); weight
- 146 x 103 x 55 mm (5.75 x 4.06 x 2.17 in); 2.6 kg (5.73 lb)
- Communication card for controller not included and also required
- Includes heating shaking station, USB-to-serial adapter, teach plate, and orbital shaking station integration plate for mounting directly to deck
- Estimated FSE installation time is 2 hours (not included)

Description	Part No.
Heating shaking station	G5498B/G #009
Communication card required for controller (slot/shaker card)	G5498B/G #019

Ready to order? Contact your local product specialist.

### Integration tips

- Requires INHECO STC/MTC controller and communication card
- Controller allows VWorks Software Control
- Compatible with all Bravo and Bravo SRT models



Agilent heating shaking station and mounting plate



## Agilent heating station

The Agilent heating station is mounted on top of the deck, in any position. It has a footprint slightly larger than a microplate with a low, robot-friendly profile. When used with the required INHECO STC or MTC controller (bought separately), it can keep samples between ambient temperature and approximately 95 °C. (Contact surface may reach ~135 °C.) The heating station can control samples above ambient temperature only. A heating/cooling device is suggested for temperatures below ambient or for samples requiring rapid cooling. Standard and custom aluminum adapter plates can be used to optimize heat transfer to labware and are available directly from INHECO. This item is comparable to the INHECO HeatPAC.

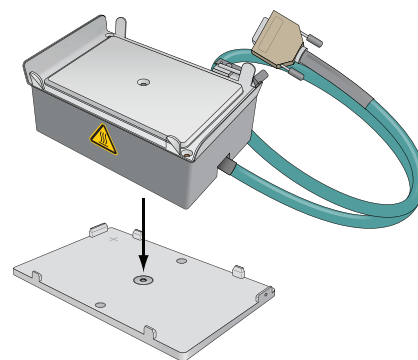
- 24V DC power is provided through the required INHECO controller, which has a universal power supply and can be bought separately (see page 28 for INHECO controllers)
- At 37 °C, target temperature accuracy is  $\pm 0.5$  °C, (uniformity  $\pm 0.5$  °C)
- Convenient, practical channel built into the bottom of the device allows cable to be routed along short or long side of the device
- Dimensions (l x w x h): 128 x 88 x 40 mm (5.04 x 3.47 x 1.58 in)
- Includes heating station with metal plate nest, mounting frame for PCR adapter plate, teach plate, and short deck platepad (standard Bravo SRT) for aligning/positioning/holding device on deck
- Estimated FSE installation time is 2 hours (not included)

Description	Part No.
Heating station	G5498B/G #018
Communication card required for controller (slot/shaker card)	G5498B/G #019

Ready to order? Contact your local product specialist.

## Integration tips

- Requires INHECO STC/MTC controller and communication card
- Controller allows VWorks Automation Control software
- Compatible with all Bravo and Bravo SRT models
- The use of a custom plate nest is recommended (G5498B/G #017)



Agilent heating station and short deck platepad

## Agilent Peltier thermal station

Able to provide temperature cycling within a range of approximately +4 °C to +100 °C, the compact Peltier thermal station has a footprint slightly larger than a deck platepad and is designed to fit through the deck in positions 4 or 6 only. It requires that the Bravo be used with the optional 146 mm risers (see Page 8).

This device requires the Tec control model STC, which controls a single device, or the model MTC, which controls up to six. Temperatures are approximate and may reflect the temperatures provided by the device manufacturer. This device is also known as the customized INHECO CPAC Ultraflat HT2TEC.

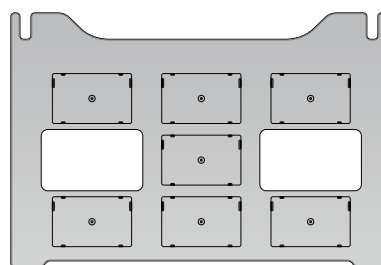
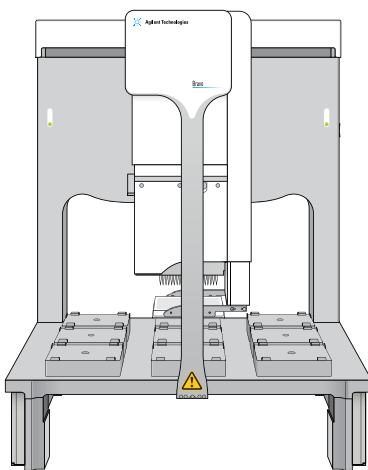
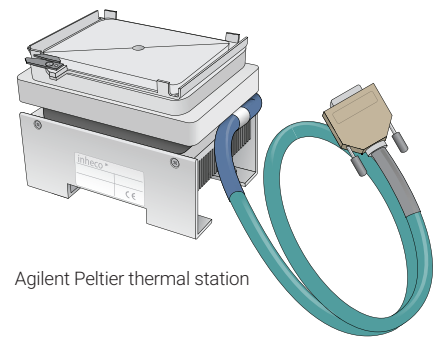
- Requires INHECO controller (bought separately)
- At 37 °C target temperature accuracy  $\pm 0.3$  °C, uniformity  $\pm 0.5$  °C
- 24V DC/4 A power is derived from the STC or MTC controller
- Dimensions (l x w x h) 128 x 88 x 80 mm (5.04 x 3.47 x 3.15 in)
- Includes generic plate nest and adapter for standard microplates
- Both items below include G5498B#019 (communication card for controllers)
- Includes Peltier thermal station, teach plate, deck bracket, cover plate, flat bottom plate, adapter, and slot/shaker card and controller when ordered
- Estimated FSE installation time is 1.5 hours (not included)

Description	Part No.
Peltier thermal station (with STC controller)	G5498B/G #035
Peltier thermal station (without controller)	G5498B/G #021
Risers, 146 mm	G5498B/G #055

Ready to order? Contact your local product specialist.

### Integration tips

- Requires Bravo on risers or hole in benchtop
- Is a through-the-deck accessory that must be located in position 4 or 6
- Compatible with all Bravo and Bravo SRT models
- The use of a custom plate nest is recommended G5498B/G #017



Installation requires Bravo platform risers (bought separately) that must be located in positions 4 or 6 on deck

## Agilent plate nest and inserts—for Peltier thermal station

The Peltier thermal station (Page 15) includes a generic plate nest and adapter that are typically used for standard labware microplates (14.4 mm tall).

The Agilent custom plate nest can be used to replace the generic plate nest, to broaden the range of compatible standard or custom plate inserts. Thermal plate inserts are used to improve temperature transfer to microplate samples.

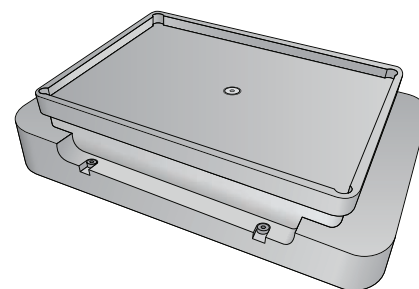
The custom plate nest can accommodate three types of inserts:

- PCR plate insert, which is compatible with most 96-well PCR plates. It is made of red-anodized aluminum, with conical holes. Plates with higher volume sample wells may protrude 4 to 5 mm above the top of the block. This robot-friendly device can also be used to position PCR plates on liquid handler deck.
- Insert 384 Eppendorf TwinTec PCR, which is compatible with Eppendorf TwinTec PCR plates.
- Deep-well plate insert, which is compatible with NUNC, Deep-well 96 HT, 1.3 mL, 26025x,278743/52, U-bottom, square well plates

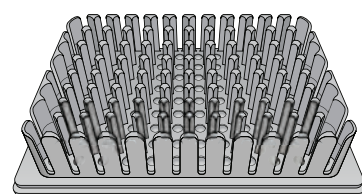
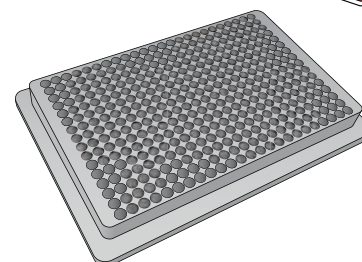
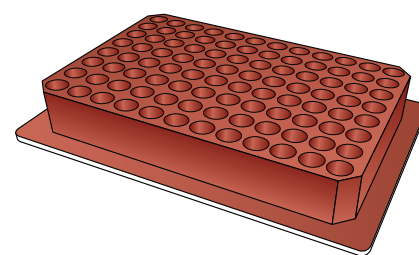
Description	Part No.
Custom plate nest	G5498B/G #017
PCR plate insert	G5498B/G #013
Insert 384 Eppendorf TwinTec PCR	G5498B/G #060
Deep-well plate insert	G5498B/G #012
Thermal insert U-bottom	G5498B/G #126
Thermal insert deep-well	G5498B/G #127

Ready to order? Contact your local product specialist.

The components on this page are most often used in the Agilent NGS Next Gen Sequencing workstations.



Agilent custom plate nest



Agilent PCR plate insert, insert 384 Eppendorf TwinTec, and PCR deep-well plate insert

### Agilent recirculating heater/chiller—for thermal station

Clean, compact, and quiet (<63 dBA), the Agilent recirculating heater/chiller is a Peltier-based unit that recirculates a temperature controlled liquid. It is used with the Agilent thermal station, which is designed to be heated or cooled by recirculation, providing reliable temperature control of  $\pm 0.1$  °C across an entire microplate. The operating range of the recirculating heater/chiller is -5 °C to +50 °C. However, temperatures are approximate and may reflect the temperatures provided by the manufacturer rather than achievable microplate temperatures.

The recirculating heater/chiller and the thermal station (sold separately) are standalone units that do not communicate with VWorks software. Instead, all temperatures are manually set and fixed. This recirculating heater is also known as the customized solid-state cooling systems ThermoCube 400 watt.

- Works in combination with Bravo thermal station (sold separately)
- Universal input 100 to 240VAC, 5.4 A maximum
- Dimensions (l x w x h) weight  
32.4 x 27.9 x 32.4 cm (12.75 x 11.0 x 12.75 in); 11 kg (23 lb)
- Includes two standard 1.83 meter (6 ft) lines
- Estimated FSE installation time is 1.5 hours (not included)

Description	Part No.
Recirculating heater/chiller	G5498B/G #024

Ready to order? Contact your local product specialist.

### Agilent thermal station for heating/cooling

The Agilent thermal station is a platepad designed for heating and cooling, and is compatible with the recirculating heater/chiller. Its operating range is from -5 °C to +50 °C, and its temperature control is controlled to  $\pm 0.1$  °C across the microplate when using a recirculating heater/chiller (sold separately).

The Agilent thermal station is available in two configurations, with short-side connectors for deck positions 4–9, and with long-side connectors for positions 1–3. It is also available as a three-plate module for positions 1, 2, and 3.

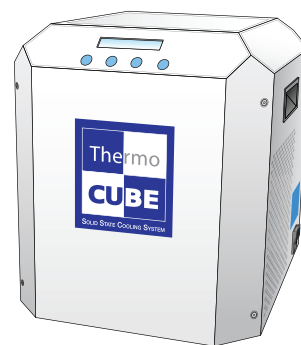
- Estimated FSE installation time is 1.5 hours (not included)

Description	Part No.
Thermal station (short-side connectors)	G5498B/G #036
Thermal station (long-side connectors)	G5498B/G #037
Thermal station (3-plate)	G5498B/G #038

Ready to order? Contact your local product specialist.

#### Integration tips

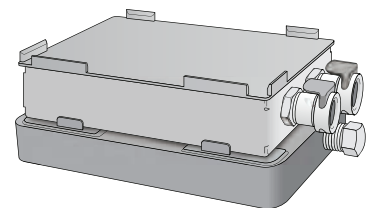
- Recirculating heater/chiller is used to heat and cool thermal station (sold separately)
- Standalone device offers manual temperature control (not VWorks adjustable)
- Compatible with all Bravo and Bravo SRT models



Agilent recirculating heater/chiller

#### Integration tips

- Plate insert may be required to ensure thermal uniformity across microplates
- Compatible with all Bravo and Bravo SRT models



Agilent thermal station (short-side connectors)

## Agilent deck position trash

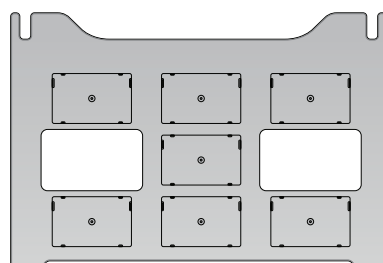
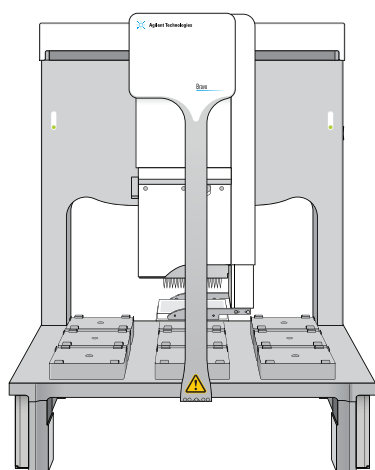
The Agilent deck position trash provides a convenient location for the disposal of consumables by replacing a deck platepad at through-deck positions 4 and 6.

The device requires a customer-supplied through-hole in the table supporting the Bravo and a trash collection receptacle.

- Estimated FSE installation time of 0.5 hours (not included). Based on standard deck platepad replacement only; does not include collection hardware or its installation.

Description	Part No.
Deck position trash	G5498B/G #056
Risers, 146 mm	G5498B/G #055

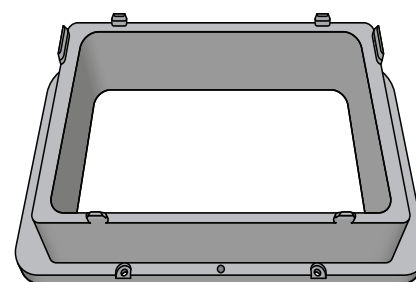
Ready to order? Contact your local product specialist.



Installation requires Bravo platform risers (bought separately) that must be located in positions 4 or 6 on-deck

### Integration tips

- Requires through-deck mounting and Bravo risers
- Must be located in deck positions 4 or 6
- Compatible with all Bravo and Bravo SRT models



Agilent deck position trash

# Quick Accessory Selection Guide and Index

## Accessories for the Bravo automated liquid handling platform



Description	VWorks <sup>1</sup> Control	Available Deck Positions	Temp Range	Third-Party Components <sup>2</sup>	Part No.
<b>Communication, Input/Output, and Integration</b>					
AC relay (powers device on/off)	Yes	NA <sup>3</sup>	NA	NA	G5498B/G #502
Light curtain, standard Bravo (safety)	Yes	NA	NA	NA	G5498B/G #022
Light curtain, Bravo SRT (safety)					G5498B/G #522
Wraparound light curtain, for std Bravo and Bravo SRT (safety)					G5598A
Dust cover, for std Bravo and std light curtain					G5498B/G #122
Risers, 146 mm	No	NA	NA	NA	G5498B/G #055
Bravo labware riser, 28.4 mm					G5498#061
Gripper upgrade, non-RoHS Bravo	Yes	NA	NA	NA	G5199A
Gripper upgrade, RoHS Bravo					G5597A
<b>Identification</b>					
Mirrored barcode reader (requires serial port)	Yes	All	NA	NA	G5498B/G #031
<b>Liquid Handling Heads</b>					
Disposable-tip heads (dispenses fluid into selected wells simultaneously: M x N array, single columns, single rows, or single wells)					
384ST 384-barrel disposable-tip pipette head	Yes	NA	NA	NA	G5056A/G
96ST 96-barrel disposable-tip pipette head	Yes	NA	NA	NA	G5057A/G
96LT 96-barrel disposable-tip pipette head	Yes	NA	NA	NA	G5055A/G
Microchromatography, AssayMAP head (requires G5498B/G #057, G5498B/G #058, and G5409-20025)					
Bravo 96AM head with positive displacement syringes (for AssayMAP cartridges)	Yes	NA	NA	NA	G5058A
<b>Platepads and Inserts</b>					
Platepads for microplates					
Deck platepad (standard on Bravo)	No	All	NA	NA	G5498B/G #004
Deck platepad, short (standard on Bravo SRT)	No	All	NA	NA	G5498B/G #005
Alignment station (passive; 384/1536 plates or ST tip boxes)	No	All	NA	NA	G5498B/G #028
Portrait platepad for Bravo	Yes	All	NA	NA	G5498B/G #014
Bravo platepad closed corners	Yes	All	NA	NA	G5498B/G #125
Platepads for tip boxes					
Deck platepad, 96AM 250 µL tip loading station (AssayMAP Bravo)	No	All	NA	NA	G5409-20025
Alignment station (passive; 384/1536 plates or ST tip boxes)	No	All	NA	NA	G5498B/G #028
Tip loading station (Bravo SRT)	No	All	NA	NA	G5498B/G #029
200 µL tip box (Legacy 200 µL tips Bravo SRT)	No	All	NA	NA	G5498B/G #007
250 µL tip box (Bravo SRT)	No	All	NA	NA	G5498B/G #020
Inserts					
Nested rack insert (required when nested tips are used with ST heads)	No	All	NA	NA	G5498B/G #003
Teach plate, HW1 (included with all new Bravo platforms)	No	All	NA	NA	G5550-17692

<sup>1</sup>Agilent VWorks Automation Control software.

<sup>2</sup>Agilent Bravo platform accessories may contain third-party components that have been customized and optimized for use with the Bravo platform and are supported by Agilent.

<sup>3</sup>NA = Not applicable.

## Accessories for the Bravo automated liquid handling platform

Description	VWorks <sup>1</sup> Control	Available Deck Positions	Temp Range	Third-Party Components <sup>2</sup>	Part No.
 <b>Reagent Reservoirs and Tip Wash Stations</b>					
Autofilling (all use pump module, except where indicated)					
Autofilling reservoir (reagent)	Yes	All	NA	NA	G5498B/G #053
Tip wash station (MicroWash reservoir, 384-chimney)	Yes	1, 2, 3	NA	NA	G5498B/G #052
Tip wash station (MicroWash reservoir, 96-chimney)	Yes	1, 2, 3	NA	NA	G5498B/G #051
96AM tip wash station (Microwash reservoir AssayMAP head)	Yes	1, 2, 3	NA	NA	G5498B/G #057
96-channel wash station					G5498B #090
Open bath tray (formerly open wash reservoir, open wash station)	Yes	All	NA	NA	G5498B/G #048
Peristaltic pumps for autofilling reservoirs					
Pump module 2.0 (required for <i>all</i> autofilling reservoirs and wash stations; required for 96AM tip wash station)	Yes	NA	NA	NA	G549B/G #058
Pump module tubing kit	NA	NA	NA	NA	G549B/G #001
Weigh station (for precise liquid-level control)	Yes	1, 2, 3	NA	NA	G549B/G #030
Manual filling (not recommended for tip washing)					
Manual fill reservoir (reagent, 384-well)	No	All	NA	NA	G549B/G #050
Manual fill reservoir (reagent, 96-well)	No	All	NA	NA	G549B/G #049
 <b>Separation</b>					
Bravo vacuum filtration station w/pump (vacuum manifold options: tall collar, 0.5 in and 0.09 in spacers)	Yes	1, 2, 3	NA	Millipore MultiScreen HTS vacuum manifold and Vacuubrand ME4C NT Vario	G5432B/G
Vacuum filtration station with valves (for use with customer-supplied house or third-party vacuum pump; vacuum manifold options: tall collar, 0.5 in and 0.09 in spacers)	Yes	1, 2, 3	NA	Millipore MultiScreen HTS vacuum manifold	G5432B/G #001
Agilent vacuum pump (ME 4C NT VARIO)	Yes	NA	NA	Vacuubrand ME4C/ME4C NT Vario	G5498B/G #027
Magnetic bead accessory	NA	All	NA	NA	G5498B/G #008

# Quick Accessory Selection Guide and Index

## Accessories for the Bravo automated liquid handling platform

Description	VWorks <sup>1</sup> Control	Available Deck Positions	Temp Range	Third-Party Components <sup>2</sup>	Part No.
<b>Shaking and Temperature Control</b>					
Controllers for heating/cooling/shaking (requires heating/cooling/shaking platepad)					
Controller, heating/cooling/shaking (for 1 device)	Yes	NA	NA	INHECO STC single TEC controller	G5498B/G #016
Controller, heating/cooling/shaking (for up to 6 devices)	Yes	NA	NA	INHECO MTC Multi TEC controller	G5498B/G #015
Platepad for shaking (with self-contained controller featuring VWorks speed control; does not require G5498B #019)					
Orbital shaking station	Yes	All	NA	INHECO Teleshake 2 mm amplitude	G5431B/H
Orbital shaking station, high speed	Yes	All	NA	INHECO Teleshake 3 mm amplitude (high speed)	G5431B/H #001
Platepad for shaking and heating					
Heating shaking station (requires G5498B #016 or G5498B #015, and G5498B #019)	Yes	All	RT to 125 °C	INHECO Teleshake 95	G5498B/G #009
Platepad for heating					
Heating station (requires G5498B #016 or G5498B #015, and G5498B #019)	Yes	All	RT to 135 °C	INHECO HeatPac	G5498B/G #018
Platepad for heating/cooling (use generic nest for 14.4 mm tall plates and custom nest for specialized plates; requires 146 mm risers)					
Peltier thermal station (includes generic nest, G5498B #016, and G5498B #019)	Yes	4, 6	4 to 110 °C	INHECO CPAC Ultraflat HT2TEC	G5498B/G #035
Peltier thermal station (includes generic nest and G5498B #019; requires G5498B #016 or G5498B #015)	Yes	4, 6	4 to 110 °C	INHECO CPAC Ultraflat HT2TEC	G5498B/G #021
Custom plate nest for thermal station (use with G5498B #12 or G5498B #013)	NA	NA	NA	NA	G5498B/G #017
Insert, deep-well plate (use with G5498B #017)	NA	NA	NA	NA	G5498B/G #012
Insert, PCR plate (use with G5498B #017)	NA	NA	NA	NA	G5498B/G #013
Recirculating heater/chiller					
Chiller, Peltier, 400 watt (required for G5498B #036, G5498B #037, and G5498B #038)	No	NA	5 to 50 °C	Solid-state cooling systems ThermoCube	G5498B/G #024
Platepads for heating/cooling					
Thermal station (recirculator-based; short-side connectors; use with G5498B #024)	No	4, 5, 6, 7, 8, 9	See chiller	NA	G5498B/G #036
Thermal station (recirculator-based; long-side connectors; use with G5498B #024)	No	1, 2, 3	See chiller	NA	G5498B/G #037
Thermal station, 3-position (recirculator-based; use with G5498B #024)	No	1, 4, 7, & 3, 6, 9	See chiller	NA	G5498B/G #038
Thermal insert U-bottom					G5498B/G #126
Thermal insert deep-well					G5498B/G #127
<b>Trash, Disposable Tip</b>					
Deck position trash (requires customer-supplied collector)	No	4, 6	NA	NA	G5498B/G #056

<sup>1</sup>Agilent VWorks Automation Control software.

<sup>2</sup>Agilent Bravo platform accessories may contain third-party components that have been customized and optimized for use with the Bravo Platform and are supported by Agilent.

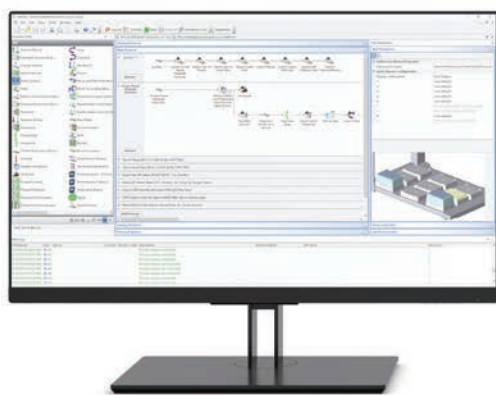
<sup>3</sup>NA = Not applicable.



## Accessories for the Bravo automated liquid handling platform

Description	Part No.
<b>Labware Microplate and Tube Racks for Bravo and BenchCel</b>	
Stacker racks	
Front loading rack, 250 mm	G5498B #064
Front loading rack, 660 mm	G5498B #065
Top loading rack, 660 mm	G5498B #066
Top loading rack, 860 mm	G5498B #067
Tube racks	
SBS rack for platepad, 50 mL	G5498B #563
SBS rack for deck mount, 50 mL	G5498B #564
SBS rack for platepad, 15 mL	G5498B #565
SBS rack for deck mount, 15mL	G5498B #566
SBS rack for platepad, 10 mL	G5498B #567
SBS rack for deck mount, 10 mL	G5498B #568
SBS rack for platepad, 2 mL	G5498B #569
SBS rack for deck mount, 2 mL	G5498B #570
NGS system accessory	
Covaris plate adapter	G5498B #068

Ready to order? Contact your local product specialist.



# Customer Service and Technical Support

## Automation solutions customer service

### Americas Customer Service

For referral to a local product specialist call 866-428-9811

### Customer Contact Center Japan

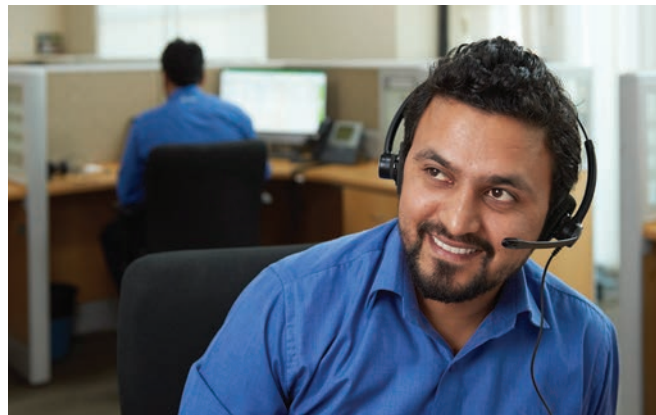
For sales, applications, support, or technical information

Address 9-1, Takakura-cho, Hachioji-shi, Tokyo, 192-8510 Japan  
Telephone +81 0120 477 111  
Email [email\\_japan@agilent.com](mailto:email_japan@agilent.com)  
Web [www.agilent.com/chem/jp](http://www.agilent.com/chem/jp)

### Customer Contact Center ANZ Australia and New Zealand

For sales, applications, support, or technical information

Telephone 1-800-802-402



## Automation solutions technical support

### USA and countries outside of Europe

Telephone 1-800-979-4811 (US only) or +1-408-345-8011  
Email [service.automation@agilent.com](mailto:service.automation@agilent.com)

This Tech Support team is located within our Santa Clara, CA Automation Solutions headquarters and is happy to help route any automation inquiry related to Customer Service, Technical Support, and Instrument Service/Repair/Field Service, as well as Professional Services (Contracted hardware, software, and application support by engineers and scientists).

### Automation Solutions Technical Support for Europe

Telephone +44 (0) 845 712 5292  
Email [euroservice.automation@agilent.com](mailto:euroservice.automation@agilent.com)



## Agilent CrossLab services

CrossLab is an Agilent capability that integrates services and consumables to support workflow success and important outcomes like improved productivity and operational efficiency. Through CrossLab, Agilent strives to provide insight in every interaction to help you achieve your goals. CrossLab offers method optimization, flexible service plans, and training for all skill levels. We have many other products and services to help you manage your instruments and your lab for best performance.

Learn more about Agilent CrossLab, and see examples of insight that lead to great outcomes, at [www.agilent.com/crosslab](http://www.agilent.com/crosslab)

Learn more:

[www.agilent.com/lifesciences/automation](http://www.agilent.com/lifesciences/automation)

Find a local Agilent customer center:

[www.agilent.com/chem/contactus](http://www.agilent.com/chem/contactus)

U.S. and Canada:

**1-800-227-9770**

[agilent\\_inquiries@agilent.com](mailto:agilent_inquiries@agilent.com)

Europe:

[info\\_agilent@agilent.com](mailto:info_agilent@agilent.com)

Asia Pacific:

[inquiry\\_lsca@agilent.com](mailto:inquiry_lsca@agilent.com)

Explore our full range of catalogs:

[www.agilent.com/chem/catalog](http://www.agilent.com/chem/catalog)

DE44246.119224537

This information is subject to change without notice.

© Agilent Technologies, Inc. 2021  
Published in the USA, February 22, 2021  
5991-0369EN