

Determination of Silicate in High-Purity Water Using Ion Chromatography and Online Sample Preparation

Weerapong Worawirunwong¹ and Jeffrey Rohrer²

¹Thermo Fisher Scientific, Bangkok, Thailand; ²Thermo Fisher Scientific, Sunnyvale, CA, USA

Key Words

Dionex IonPac Columns, Cartridge Depletion, Molybdate, Semiconductor Manufacturing, Silicate, RFIC, Ultrahigh-purity Water (UHPW)

Goals

To develop an online sample preparation and IC method that accurately determines silicate in UHPW.

Introduction

The water used in the manufacture of semiconductors and other modern electronic components must be extremely pure. This water is often referred to as ultrahigh-purity water (UHPW). The production of UHPW includes deionization to remove corrosive strong acid anions, e.g., chloride and sulfate. Deionization cartridges exhaust their capacity over time and require replacement. When these deionization cartridges begin to fail, one of the first ions to break through the cartridge and contaminate the water is silicate. Silicate can break through while the water still yields an acceptable resistivity reading of 18 MΩ-cm. Therefore, silicate is a good early indicator of cartridge depletion. Monitoring silicate and then changing deionization cartridges when silicate first appears can help prevent manufacturing failure of expensive electronic components due to the presence of the more corrosive chloride and sulfate from cartridge exhaustion.

While silicate can be separated at high pH, it has very little dissociation from its acid form at neutral pH, and therefore cannot be detected sensitively using suppressed conductivity. However, silicate will react with molybdate to form a complex that can be detected with high sensitivity at 410 nm, as shown in Dionex (now part of Thermo Scientific) Application Update 113.¹

To ensure the early recognition of cartridge depletion, silicate must be detected at concentrations lower than 1 µg/L. These low detection limits can be achieved by preconcentrating 20 mL of UHPW on a Thermo Scientific™ Dionex™ IonPac™ AG4A-SC column, then separating the concentrated sample on a Dionex IonPac AS17 column set. To achieve the best reproducibility and highest sensitivity, a Reagent-Free™ ion chromatography



(RFIC™) system is used to prepare the eluent for the Dionex IonPac AS17, and a Thermo Scientific Dionex AutoPrep system is used to prepare the low-level standards for calibration and automatically generate the calibration curve. The combination of RFIC and Dionex AutoPrep system minimizes the time and labor needed for a sensitive and reproducible determination of silicate in UHPW.

Equipment

- Thermo Scientific Dionex ICS-3000 system consisting of:
 - DP Dual Pump
 - DC Detector/Chromatography Compartment with dual temperature zone equipped with 6-port valve (injection valve)
 - AM Automation Manager equipped with 10-port valve (high-pressure valve) and 3-way valve (low-pressure valve)
 - EG Eluent Generator
 - VWD Variable Wavelength Detector
 - AS-HV High-Volume Autosampler
 - Reagent Delivery Module (RDM)
- Thermo Scientific™ Dionex™ Chromeleon™ Chromatography Data System (CDS) software, version 6.8

Thermo
SCIENTIFIC

Reagents and Standards

- Deionized water (DI), Type I reagent-grade, 18 M Ω -cm resistivity
- Silicate-free deionized water*
- Sodium metasilicate pentahydrate (Na₂SiO₃•5H₂O)
- Sodium molybdate dihydrate (Na₂MoO₄•2H₂O)
- Sodium lauryl sulfate (CH₃(CH₂)₁₁OSO₃Na)
- Nitric acid (HNO₃)

All compounds should be ACS reagent grade or better from reliable sources.

Conditions

Concentrator:	Dionex IonPac AG4A-SC, 4 × 50 mm (P/N 43175)		
Columns:	Dionex IonPac AG17 guard, 4 × 50 mm (P/N 55684) Dionex IonPac AS17 analytical, 4 × 250 mm (P/N 55682)		
Eluent Source:	Thermo Scientific Dionex EGC II KOH Eluent Generator cartridge with the Thermo Scientific Dionex CR-ATC Continuously Regenerated Anion Trap column		
Eluent Concentration:	Time (min)	Concentration (mM)	Curve
	-20.0	50	5
	-7.1	50	5
	-7.0	1	5
	0.0	1	5
	2.0	10	6
	4.0	20	4
	10.0	20	5
Flow Rate:	1 mL/min		
Small Loop Volume:	20 μ L		
Large Loop Volume:	20 mL		
Temperature:	30 °C		
Detection:	Visible absorbance at 410 nm		
Noise:	≤100 mAU		
Postcolumn Conditions:	20 mM Sodium molybdate 0.2 N Nitric acid 6 mM Sodium lauryl sulfate Reaction Coil: 1500 μ L (P/N 42630) Flow Rate: 0.5 mL/min		

* Many labs that evaluate silicate in a high-purity water source will have a silicate-free water source. This grade of water is needed for a good blank analysis. A water polishing device (CIRA from Trovion, Inc.) was used in this experiment to produce water for the Dionex AutoPrep application used to prepare the blank and the standards.

Preparation of Solutions and Reagents

Eluent Solution

The eluent generator (EG) produces the eluent using the Dionex EGC II KOH cartridge and deionized water supplied by the pump. The eluent concentration is controlled by Chromeleon CDS software. Because the Dionex IonPac AG17/AS17 column set does not produce 2000 psi of backpressure, backpressure tubing must be added to achieve 2300–2500 psi backpressure that will allow the EG degasser to function properly. See the Dionex ICS-3000 Operator's Manual² for instructions on adding backpressure.

Postcolumn Reagent (PCR)

20 mM Sodium Molybdate/0.2 N Nitric Acid/ 6 mM Sodium Lauryl Sulfate

Dissolve 2.42 g of Na₂MoO₄•5H₂O in 100 mL of deionized water. Slowly add 9.7 g of concentrated nitric acid and mix thoroughly. Add 0.86 g sodium lauryl sulfate and mix. Dilute to a final volume of 500 mL with deionized water. The PCR is stable for several days. Prepare fresh at least weekly.

Standard Solutions

Stock Standard

Prepare all silicate standards using silicate-free water.* This standard should be prepared from the highest purity sodium metasilicate pentahydrate available. To prepare the 1000 mg/L silicate standard, add 0.353 g of sodium metasilicate pentahydrate to a 100 mL volumetric flask and bring to volume. This standard is stable for at least one month when stored at 4 °C.

Secondary Standards

The stock standard is used to prepare the standards for the volume calibration, the calibration standards, and the method detection limit (MDL) standard.

1. Volume calibration requires the preparation of two different standards (see the Dionex AutoPrep Application, Volume Calibration section, which follows), the concentrate standard, and the dilution standard. To prepare the 2 mg/L concentrate standard, add 200 μ L of the 1000 mg/L stock silicate standard to a 100 mL volumetric flask and bring to volume with silicate-free water. Prepare the dilution standard by further diluting the 2 mg/L silicate standard 1000-fold (e.g., 100 μ L to 100 mL).
2. Dionex AutoPrep calibration requires the analyst to prepare only a single standard. To prepare a 200 μ g/L silicate standard, add 200 μ L of the 1000 mg/L stock silicate standard to a 1 L volumetric flask and bring to volume with silicate-free water. The Dionex AutoPrep system then prepares the standards in Table 1 and uses them for the calibration.
3. Prepare the MDL standard by diluting the 200 μ g/L calibration standard 1000-fold.

Table 1. Standard concentrations for method calibration and calibration results.

Analyte	Concentration (ng/L)				Results		
	Level 1	Level 2	Level 3	Level 4	R-square (%)	Offset	Slope
Silicate	200	400	800	1600	99.9427	-0.022	0.0321

Dionex AutoPrep Application

Volume Calibration

Volume Calibration is the method used to calibrate the volumes of the large and small loops at a 1000:1 ratio in volume. The small loop volume can be roughly calculated from the i.d. and length of the PEEK tubing. However, the tubing i.d. can vary from batch to batch, resulting in an inaccurate injection volume calculation. In addition, the 10-port valve dead volume can further contribute to inaccuracy of the calibration. For example, if a small loop with a calculated volume of 20 μ L is prepared and installed in an injection valve, the volume delivered to the IC system from this loop might be anything from 15 to 25 μ L.

Because the volume of injected silicate is directly proportional to the IC system response, a plot of known silicate concentration against volume can be used to determine the exact volume of the small loop. This is accomplished using two different standards with a concentration ratio of 1:1000, such as 2 μ g/L and 2000 μ g/L (2 mg/L) silicate. The 2 μ g/L silicate is loaded into the large loop with loading volumes of 5, 10, 15, and 20 mL, and each is analyzed separately by the IC system. The silicate responses are plotted against the corresponding loading volume. Next, the 2000 μ g/L silicate is loaded onto the small loop and analyzed by IC.

When the measured response of silicate from the small loop is compared to the concentration plot from the large loop, the volume of the small loop will be one-thousandth of the corresponding volume of the large loop. For example, the result of the small loop measurement is equivalent to a 20.598 mL injection on the large loop. The small loop volume is 20.598 mL divided by 1000, equal to 0.020598 mL or 20.598 μ L. Once the small loop volume is known and calibrated, the accurate volume of preconcentration from the large loop can be established. For example, Figure 1 shows representative chromatograms of 5, 10, 15, and 20 mL injections of 2 μ g/L silicate. The linearity results are shown in Table 1. Table 2 shows data from the three small loop injections of the 2000 μ g/L silicate. The average value of 20.598 mL is now used for the loading volume. Because the loading flow rate is 1 mL/min, the loading time is 20.598 min.

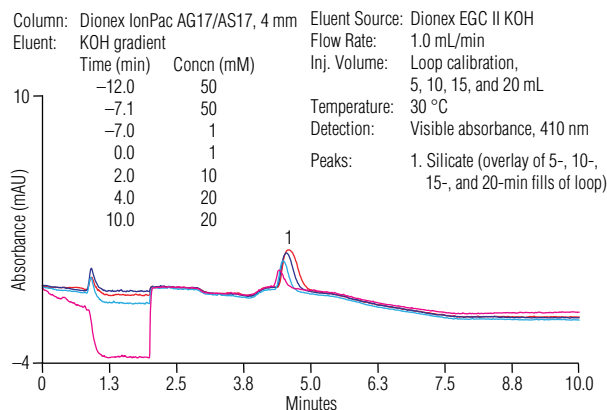


Figure 1. An overlay of the chromatograms from the four-point calibration (5, 10, 15, and 20 mL loading of the 2 μ g/L silicate standard to the concentrator) for Dionex AutoPrep loop calibration.

Table 2. Data from three injections of the concentrate standard (2 mg/L silicate) using the small loop.

Sample #	Silicate Amount (mL)
1	20.6389
2	20.5666
3	20.5872
Average	20.598
RSD	0.18%

Note: The result of loop calibration is that 20.598 min will be used as the loading time for this experiment.

Configuration

Figure 2 shows the configuration of the Dionex AutoPrep system application for this Application Note. The DC needs to be equipped with one ten-port valve (AM-HP valve), one six-port valve (injection valve), and one low-pressure valve (AM-LP valve).

To prepare the small loop (20 μ L), use 10.18 cm of 0.02 inch i.d. PEEK tubing. Prepare the large loop (20 mL) using a length of 0.0625 inch i.d. tubing that is greater than 1042.62 cm. The length of the large loop needs to be longer than the 1042.62 required for 20 mL to ensure that during the loading step eluent does not flow to the concentrator. Note, although we have provided exact tubing lengths, these lengths assume a uniform tubing diameter that is not observed in practice. Because the loop will be calibrated, the tubing lengths need only be close approximations of those provided.

To create the silicate-free water for this application, the CIRA water polishing device from Trovion was used. This device was either used to prepare water from a pressured bottle of deionized water (Figure 2A) or online with the second pump of the DP taking the water that exited the regenerant line of the Dionex CR-ATC and directed it to the CIRA, which delivered the polished water to the large loop when required (Figure 2B). If a lab/facility has silicate-free water, it can simply be put into a 4 L bottle (P/N 039164) which is pressurized, and the loop filled with silicate-free water when the valve is open (Figure 2C).

Because the second pump of the DP was used to generate the silicate-free water, the postcolumn reagent for silicate detection was added using an RDM. If the lab has a source of silicate-free water, it can use the second pump of the DP to deliver the postcolumn reagent as demonstrated in Dionex (now part of Thermo Scientific) Application Update 113.

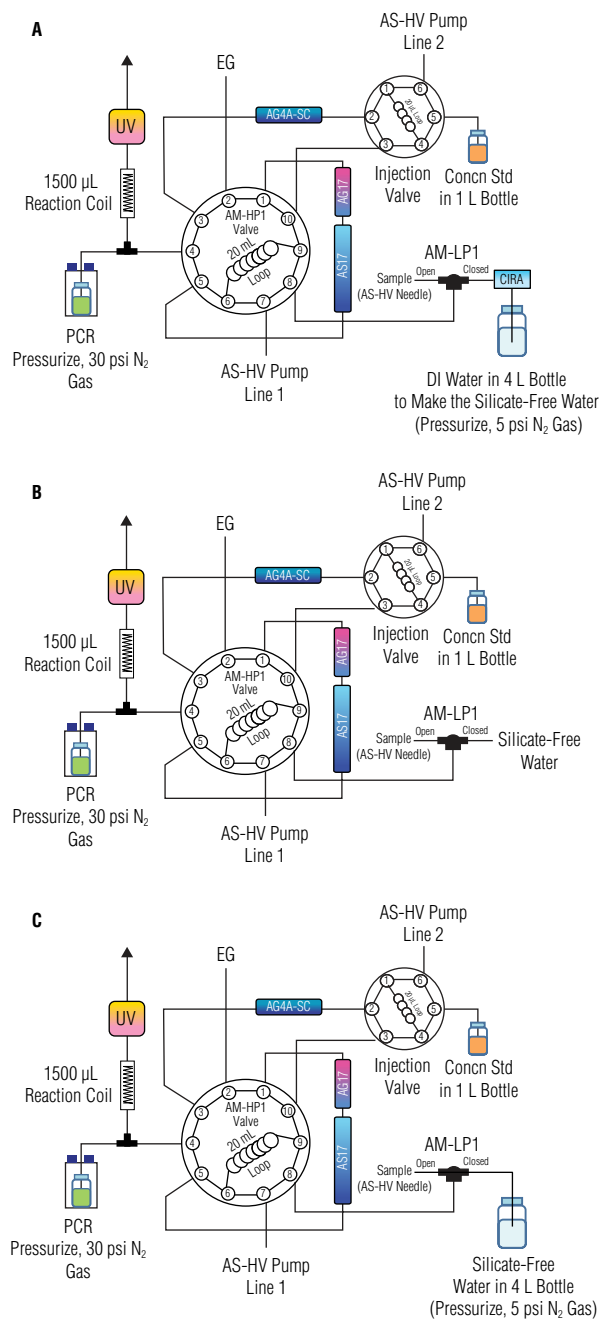


Figure 2. Three configurations of this Dionex AutoPrep application. A) The silicate-free water is prepared by pressurizing deionized water in a 4 L bottle to supply the CIRA. B) The silicate-free water is prepared by the CIRA from the exiting regenerant of the Dionex CR-ATC using the second pump of the DP. C) Silicate-free water in a 4 L bottle is pressurized. In all three configurations the concentrate standard is in a 1 L bottle.

Dionex AutoPrep Program

The Dionex AutoPrep program is separated into two different batch sequences; one sequence for the volume calibration method and the other for the standard calibration method.

1. Volume Calibration Method.

Table 3 shows the time sequences of the volume calibration programs. The Chromeleon CDS software programs of the volume calibration method use nearly all the same commands, with the difference being the state of the AM-HP1 valve (10-port valve). The AM-LP1 is open for loading the dilution standard into the large loop. The volume of the dilution standard concentrated on the concentrator is controlled by the AM-HP1. The AM-HP1 valve is switched to position B to program the dilution standard loading time of 5, 10, 15, and 20 min. The 1× program is used to concentrate the volume of the small loop on the concentrator.

2. Standard Calibration Program.

Table 4 shows the time sequences of the standard calibration programs. The Dionex AutoPrep system automatically prepares a calibration curve by concentrating multiple fills of the small loop. The injection valve is switched from load to inject multiple times during the same chromatography program to load multiple complete fills of the small loop with concentrate standard onto the concentrator. The concentration of the standard used to fill the small loop is 1000× that to be measured in the large loop. Therefore one fill of the small loop with a 200 µg/L standard will represent a 200 ng/L sample in the large loop. To prepare a calibration curve of 200, 400, 800 and 1600 ng/L, the small loop will be filled 1×, 2×, 4×, and 8× with concentrate standard, respectively, and these samples will be loaded onto the concentrator.

Table 3. Program for the volume calibration method.

Program Name				5 min	10 min	15 min	20 min	1×*	
Time (min)	KOH Conc (mM)	Curve	AM-LP1	AM-HP1					
-20.500	50	5	Open	A	A	A	A	A	
-20.000									
-15.000									
-10.000									
-7.100									
-7.000	1				B	B	B	B	
-5.000				B					
0.000									
2.000	10	6			A	A	A	A	A
4.000	20	4							
10.000		5							

Note 1: The Dionex AutoPrep loop calibration command:

AM-LP1

Open = Port connected to the AS-HV autosampler needle

Closed = Port connected to silicate-free water

* AM-LP1 is closed during the 1× program

AM-HP1

A = Valve at 10-1 position, eluent is equilibrating the concentrator, guard column, and analytical column in preparation for the analysis.

The AM-LP1 line loads the dilution standard to the large loop.

B = Valve at 1-2 position, the dilution standard (in the large loop) is loaded on the concentrator by the eluent pump.

Note 2: The 1× program also needs the LoadPosition and InjectPosition commands between the program times -20.000 to -1.000 to load the small loop with the concentrate standard that is then sent to the concentrator.

Table 4. Program for standard calibration.

Program Name				Standard Program (1×, 2×, 4×, and 8×)		Sample	
Time (min)	KOH Concn (mM)	Curve	AM-HP1	AM-LP1	Injection Valve	AM-LP1	Injection Valve
-21.000	50	5	A	Closed	See Note 2	Open	No command for the sample program
-20.598							
-15.000							
-10.000							
-7.100							
-7.000	1		B				
-5.000							
0.000	10	6	A				
2.000							
4.000							
10.000	20	5					

Note 1: $n \times$ ($n = 1, 2, 3, \dots$) as program name, where “n” is the number of the injection valve switches from load to inject position.

Note 2: Add the LoadPosition and InjectPosition commands the number of times indicated by the program name to load the concentrate standard to the concentrator. For example, if it is the 4× program, there needs to be four pairs of Load/Inject commands.

Note 3: For the connections and explanation of functions of AM-LP1 and AM-HP1, please see Table 3 and Figure 2.

Results and Discussion

To evaluate whether the method delivered the required sensitivity, the MDL was determined by making a 200 ng/L silicate sample with silicate-free water and loading the large loop using the sample program of the Dionex AutoPrep system (Table 4). Figure 3 shows the chromatogram of 200 ng/L silicate and Table 5 shows the reproducibility of seven injections of the MDL standard. The calculated MDL from the peak height is 32.34 ng/L. This method easily meets the required sensitivity of <1 µg/L silicate.

To confirm that the silicate-free water is indeed silicate-free and can be used to prepare the standards (thus confirming that the MDL standard only had silicate from the sodium metasilicate pentahydrate and not the water used to prepare it), the large loop was filled with the silicate-free water and a blank analysis run (sample program in Table 4). Figure 4 shows the chromatogram of the silicate-free water, confirming that it is indeed silicate-free.

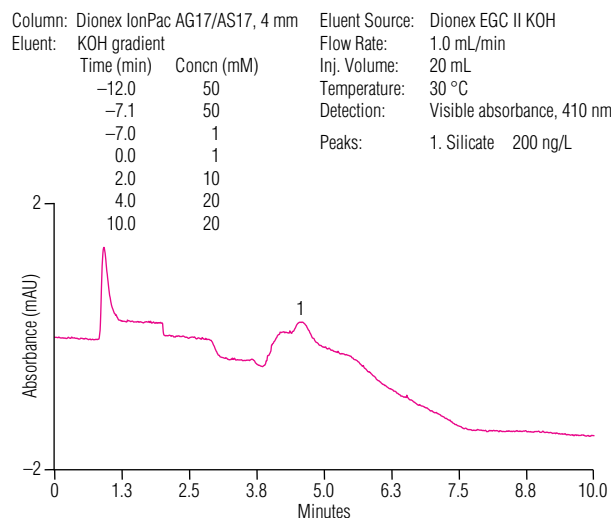


Figure 3. Chromatogram of one of the 200 ng/L silicate injections used for the MDL determination.

Table 5. Data from seven injections for the silicate MDL determination.

Injection #	Retention Time (min)	Area (mAU*min)	Height (mAU)
1	4.587	0.0694	0.24
2	4.54	0.0767	0.25
3	4.587	0.0803	0.26
4	4.567	0.0776	0.25
5	4.587	0.0714	0.24
6	4.547	0.0691	0.22
7	4.58	0.0697	0.24
Average:	4.571	0.073	0.241
RSD (%):	0.44	6.29	5.15

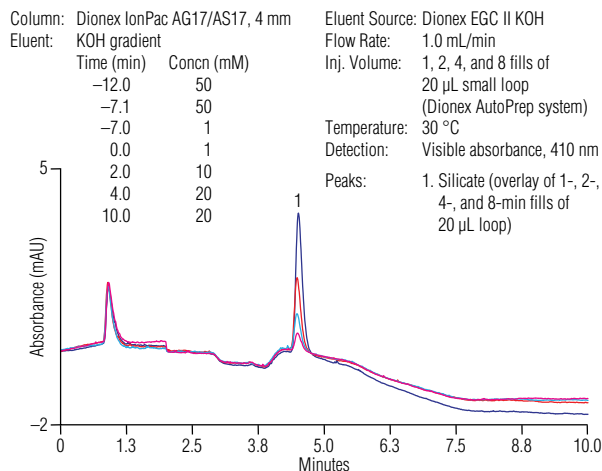


Figure 5. Overlay of the four chromatograms used for the method calibration.

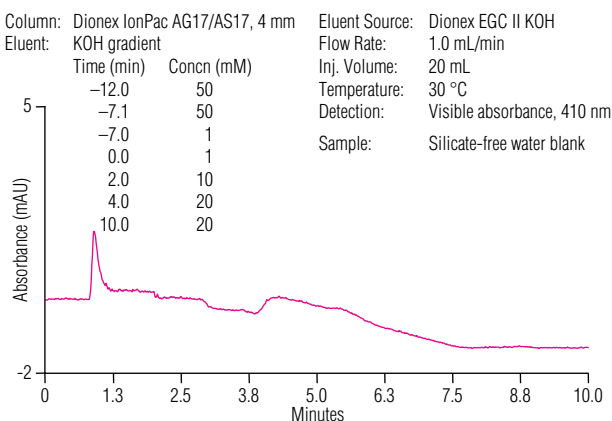


Figure 4. Chromatogram of the silicate-free water blank.

The Dionex AutoPrep system was used to calibrate this method (Table 4, standard program). The four standards used by the system for method calibration were 200, 400, 800, and 1600 ng/L. Figure 5 shows an overlay of these four standards. The efficiencies of these silicate peaks are higher than the silicate peak in the MDL standard due to sending a smaller volume to the concentrator. Chromeleon CDS software reported that calibration had an R-square of 99.96% with a slope of 4×10^{-4} mAU*min/(ng/L) and a y-intercept of 1.8×10^{-3} mAU*min. To check the accuracy of the standard calibration, a 800 ng/L standard was prepared and injected using the sample program in Table 4. Five injections of this standard had an RSD of 1.13% and an average concentration of 739.96 ng/L, a 92.50% recovery.

The laboratory deionized water was evaluated for silicate using the method in this application note. As the chromatogram in Figure 6 shows, the water had 571 ng/L silicate. It clearly could not be used to prepare standards for this application and was the reason an in-line water polisher was installed to prepare silicate-free water.

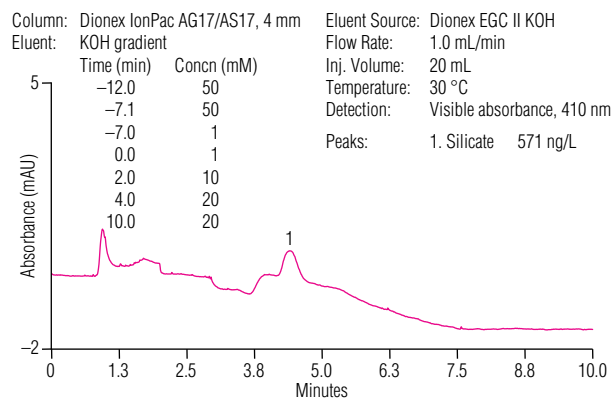


Figure 6. Chromatogram of laboratory DI water. Peak 1 is silicate at a concentration of 571 ng/L.

Summary

This application note shows how the combination of RFIC and the Dionex AutoPrep system minimizes the time and labor needed for sensitive and reproducible determinations of silicate in UHPW.

Precautions

The sodium molybdate reagent must be prepared fresh at least weekly. This reagent can precipitate in tubing and check valves. If the system will be idle for longer than one day, flush the pump and tubing with 0.5 M NaOH for 2 h at the same flow rate used for analysis. Even when used constantly, the system should be shut down at least once a week to flush the pump and tubing as described above.

The peak width of the silicate peak may increase over time. When the peak width becomes unacceptable, replace the Dionex IonPac AG4A-SC column.

References

1. Dionex (now part of Thermo Scientific) Application Update 113: Determination of Dissolved Silica and Common Anions Using Dual Detection. Sunnyvale, CA, 2009. [Online] www.dionex.com/en-us/webdocs/4180-AU113-IC-DissolvedSilica-DualDetection-13Aug2009-LPN1936-02.pdf (accessed Jan 9, 2014).
2. Dionex (now part of Thermo Scientific) ICS-3000 Ion Chromatography System Operator's Manual, Document No. 065031. Sunnyvale, CA, 2008. [Online] www.dionex.com/en-us/webdocs/48428-Man-IC-ICS-3000-System-Operators-2008-01-065031-04.pdf (accessed Jan 9, 2014).

www.thermofisher.com/dionex

©2016 Thermo Fisher Scientific Inc. All rights reserved. All trademarks are the property of Thermo Fisher Scientific and its subsidiaries. This information is presented as an example of the capabilities of Thermo Fisher Scientific products. It is not intended to encourage use of these products in any manners that might infringe the intellectual property rights of others. Specifications, terms and pricing are subject to change. Not all products are available in all countries. Please consult your local sales representative for details.

Africa +43 1 333 50 34 0	Denmark +45 70 23 62 60	Japan +81 6 6885 1213	Russia/CIS +43 1 333 50 34 0
Australia +61 3 9757 4300	Europe-Other +43 1 333 50 34 0	Korea +82 2 3420 8600	Singapore +65 6289 1190
Austria +43 810 282 206	Finland +358 9 3291 0200	Latin America +1 561 688 8700	Sweden +46 8 556 468 00
Belgium +32 53 73 42 41	France +33 1 60 92 48 00	Middle East +43 1 333 50 34 0	Switzerland +41 61 716 77 00
Brazil +55 11 3731 5140	Germany +49 6103 408 1014	Netherlands +31 76 579 55 55	Taiwan +886 2 8751 6655
Canada +1 800 530 8447	India +91 22 6742 9494	New Zealand +64 9 980 6700	UK/Ireland +44 1442 233555
China 800 810 5118 (free call domestic) 400 650 5118	Italy +39 02 950 591	Norway +46 8 556 468 00	USA +1 800 532 4752

Thermo
SCIENTIFIC

Part of Thermo Fisher Scientific