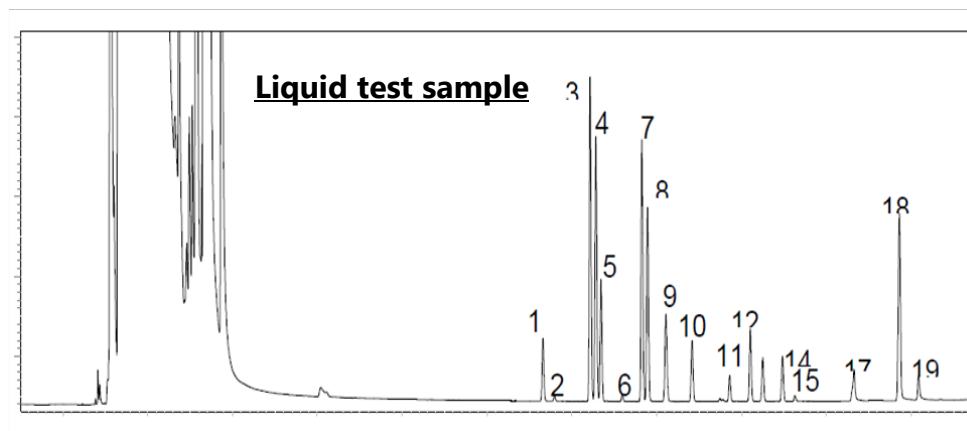
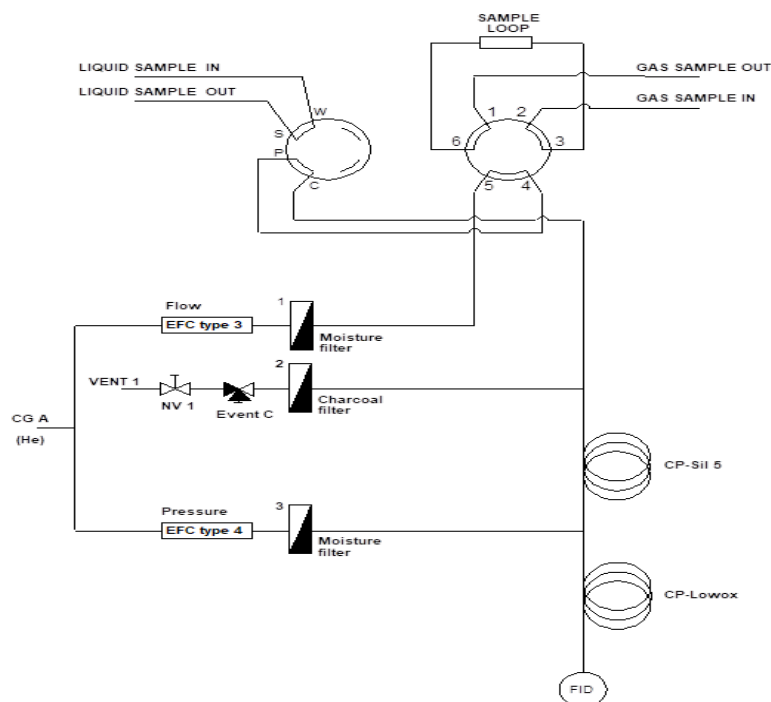


Low Oxygenates Analyzer - QuickReference Guide

Low Oxygenates Analyzer

The Low Level Oxygenates Analyzer is designed and optimized to quantify ppm and sub ppm levels of ethers (e.g. DME, MTBE, ETBE, DIPE), alcohols (e.g. methanol, ethanol, propanol), ketones (e.g. acetone, MEK) and aldehydes in various hydrocarbon matrices. In general, all oxygenated components with a boiling point of up to 100 °C can be analyzed. The sample can be a gas, LPG or liquid under ambient conditions with a final boiling point up to 250 °C.

- Complies to ATSM D7423, uoP 960
- The analysis is completely automated.
- Full range detection capability.
- Simple set-up for easy operation/maintenance and service.



Peak identification:

- | | |
|--|-------------------------|
| 1 Diethylether (DEE) | 11 Methanol |
| 2 Acetaldehyde AA | 12 Acetone |
| 3 Ethyl tert.butyl ether ETBE | 13 Isovaleraldehyde IVA |
| 4 Methyl tert.butyl ether MTBE | 14 Valeraldehyde VA |
| 5 Diisopropylether DIPE | 15 2-Butanon MEK |
| 6 Propanal PA | 16 Iso propanol |
| 7 Tert.amyl methyl ether TAME | 17 1-Propanol |
| 8 Propylether PE | 18 Tert. Butanol TBA |
| 9 Isobutyraldehyde IBA 2-methyl-1-propanol | 19 1-Butanol |
| 10 Butyraldehyde BA | |

ChromSolutions Ltd

What we offer at ChromSolutions is our wealth of experience in analytical instrumentation, (over 110 years distributed through the members of our company). We use this experience and independent advice to provide clear concise guidance for analyzer purchase and training on operation.

For more information on Analyzers please contact us:



Tel: +44 (0) 1442 402399
Mob: +44 (0) 7966 783845
Email: info@chromsolutions.co.uk
Website: <http://www.chromsolutions.co.uk>