

Technical Note

Mounting a new Valve Head on the Valve Actuator

The old valve head (part number 89079-69005) and the new valve head (part number 5063-6575) are mechanically fully compatible with each other. Both valve heads use the same valve actuator (part number 89079A) and can be used with both old and new types of fittings.

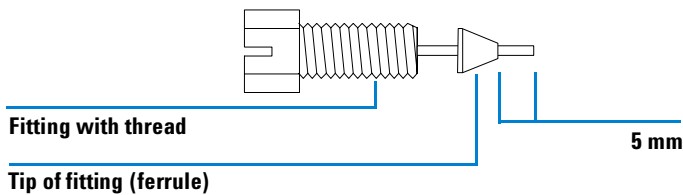
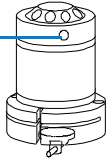


Figure 1 New Type of Fittings

- 1 Switch on the actuator and turn it to position 1 either by using the graphical user interface of the HP ChemStation or by using the push button located at the rear panel of the valve actuator.
- 2 Position the valve on the actuator as shown in Figure 2 (the drilling in the valve head must point downwards).



Drilling



Valve drive assembly

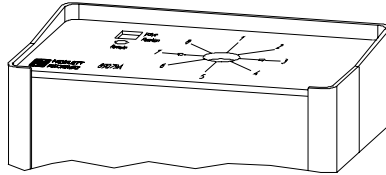


Figure 2 Mounting the Valve on the Actuator

NOTE

The default position of the valve when shipped is position 1. In this position the flat side at the end of the axis faces upwards. If the valve drive assembly is not at position 1, switch to manual operation (the switch is at the rear of the actuator) and press the manual advance button to set the valve drive assembly at position 1.

3 Fix the valve to the actuator by tightening the two fixing screws as shown in Figure 3.

Valve drive assembly

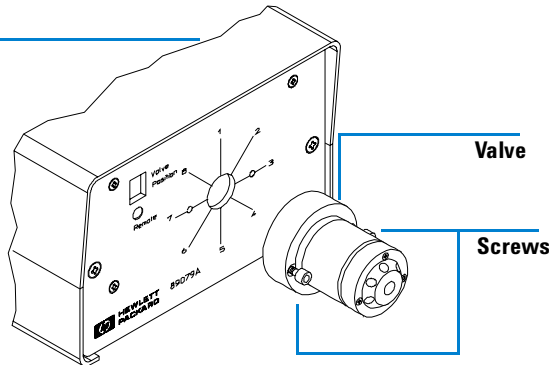


Figure 3 Tightening the Fixing Screws



Part Number: **G1128-90100**

Edition 01/ 2005
Printed in Germany

© Agilent Technologies, Inc. 2005
Agilent Technologies
Hewlett-Packard-Strasse 8
76337 Waldbronn, Germany