

# Installing the Tray Bracket

6890 Gas Chromatograph

Accessories: **G1916A**  
**G1917A**

## Overview

This document contains the procedure for installing a tray bracket on an 6890 Gas Chromatograph (GC). You must install the tray bracket before installing a GC automatic liquid sampler. Before following this procedure, refer to the safety information on the inside front cover.

## Parts List

- Tray bracket assembly
- 3 Torx screws (M4 × 67 flathead)

## Required Tools

- T-20 Torx screwdriver
- Flat-blade screwdriver

## Steps

1. Preparing the GC
2. Installing the tray bracket on the GC
3. Restoring the GC to operating condition



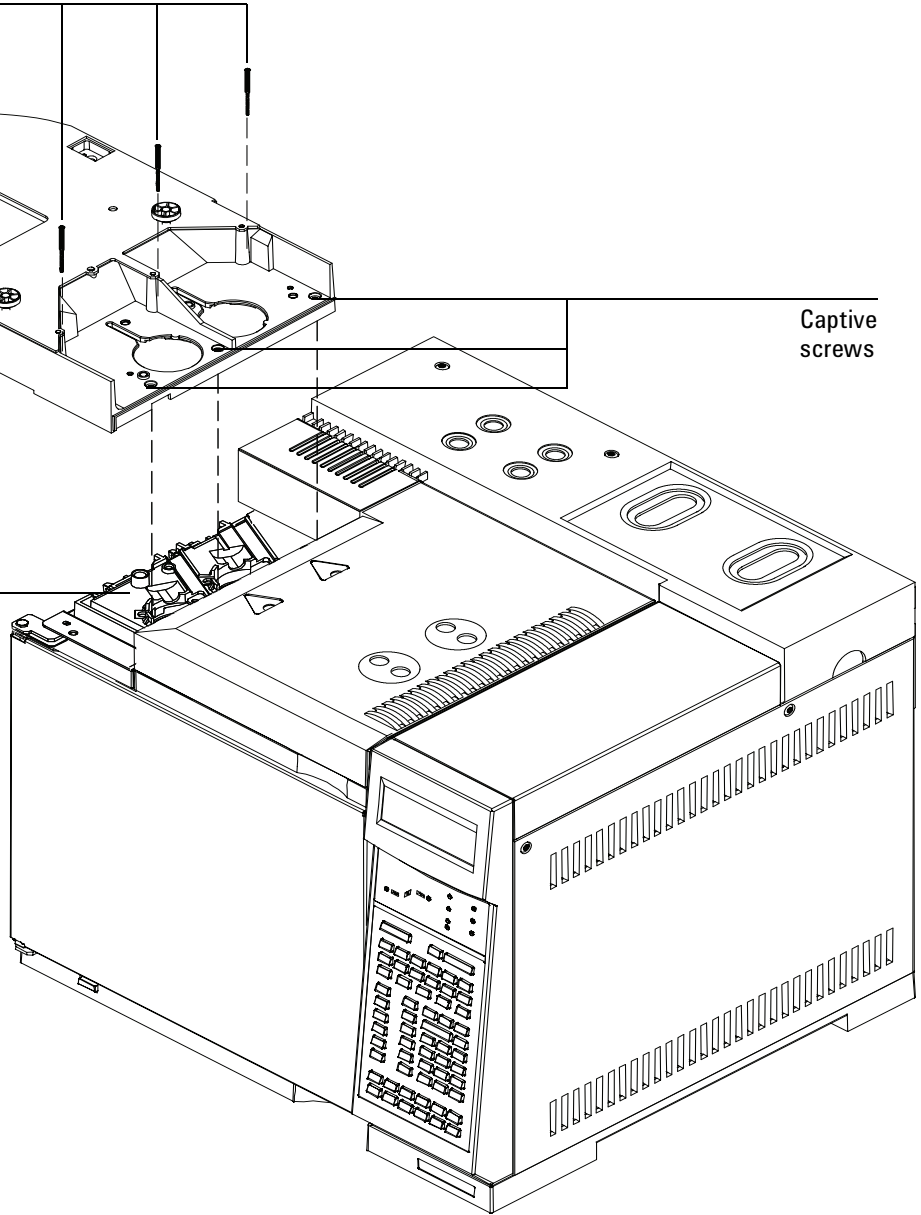
**Agilent Technologies**

Install screws

Tray  
bracket

Inlet chassis

Captive  
screws



## Preparing the GC

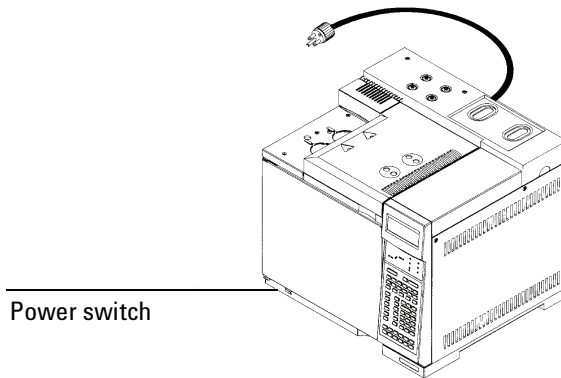
---

**WARNING**

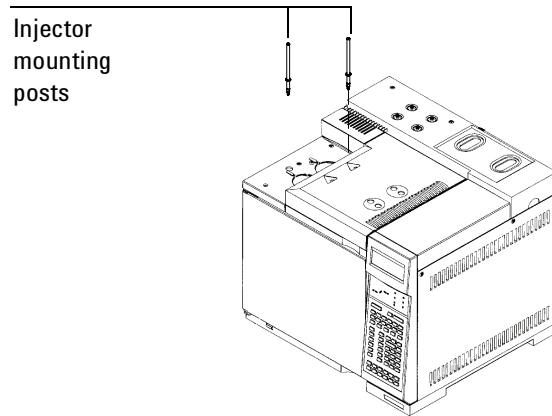
---

Hazardous voltages are present in the mainframe when the GC power cord is plugged in. Avoid a potentially dangerous shock hazard by unplugging the power cord before removing the side panels.

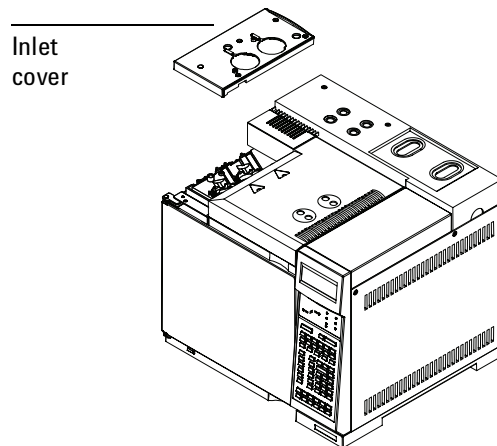
1. Turn off the GC and unplug the power cord.



2. If there are injector mounting posts installed, unscrew them using a flat blade screwdriver.

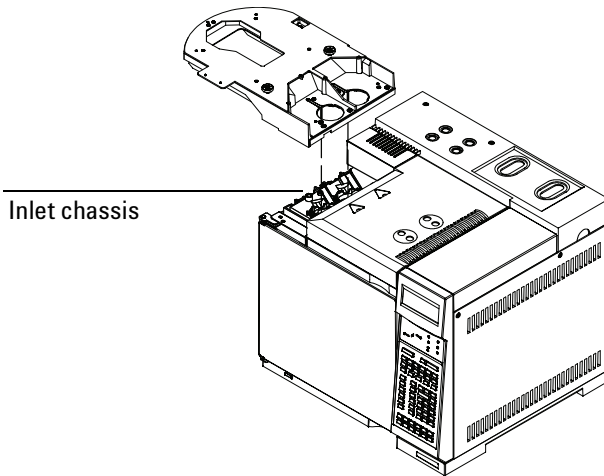


3. Remove the inlet cover. Loosen the 6 captive screws with a T-20 Torx screwdriver until you are able to lift off the cover.

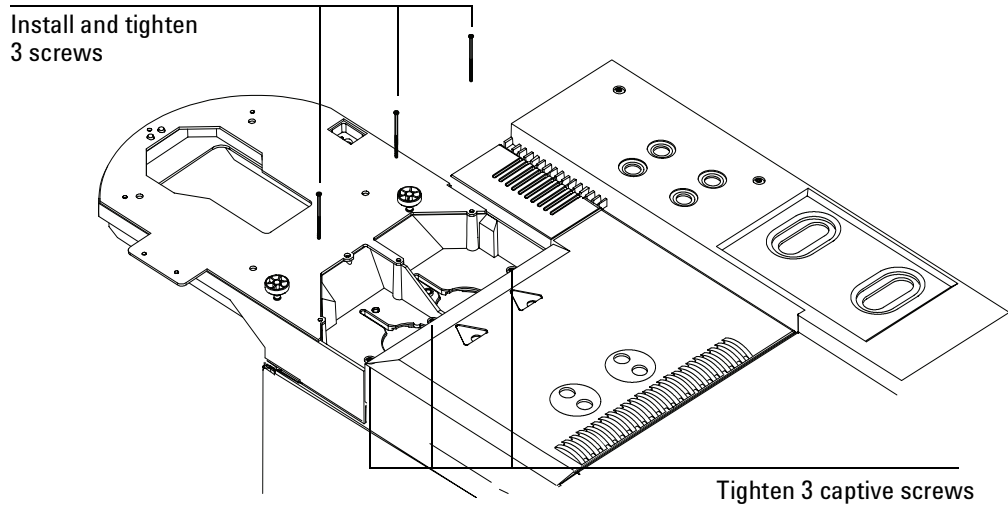


## Installing the tray bracket on the GC

1. Place the bracket over the inlet chassis, aligning the inlets on the GC with the corresponding holes in the tray bracket. Press down firmly to seat the bracket on the inlet chassis.



2. Tighten the three captive screws. Install the three M4×67 screws and tighten until snug.



## **Restoring the GC to operating condition**

1. Reinstall the injector mounting posts using a flat blade screwdriver. Make sure the flanges on the posts are snug against the bracket.
2. Plug in the GC and turn on the power switch.

Copyright© 2001  
Agilent Technologies, Inc.  
2850 Centerville Road  
Wilmington, DE 19808-1610  
Printed in USA SEP 2001



G1512-90197