

Installing a G2916A Sampler Tray on a 6890 Gas Chromatograph

G2917A Kit

The G2917A upgrade kit converts a G2916A tray for use on a 6890 GC.

Parts supplied

The parts in the kit are listed in Table 1.

Table 1 Parts supplied

Part number	Description	Quantity
G2917-80530	5890 to 6890 upgrade bracket screw kit. Contains	1
	Screw, M4 × 10 mm	2
	Screw with washer, M4 × 20 mm	5
	Screw, Torx T-20, M4 × 45 mm	2
	Screw, M4 × 20 mm, thin shank	1
8710-2430	Torx key, T-20	1
G2917-05080	Tray bracket cosmetic cover	1
G2917-60500	5890/6890 Adapter bracket	1



Installing the bracket

CAUTION

Do not move or manipulate the robotic arm or gripper. Moving the arm or gripper back and forth can cause damage. If necessary, rotate the arm assembly a few degrees until there is enough clearance.

- 1 The cosmetic cover is screwed to the bracket to protect it during shipping. Remove the screw and plastic washer and separate the parts (Figure 1).

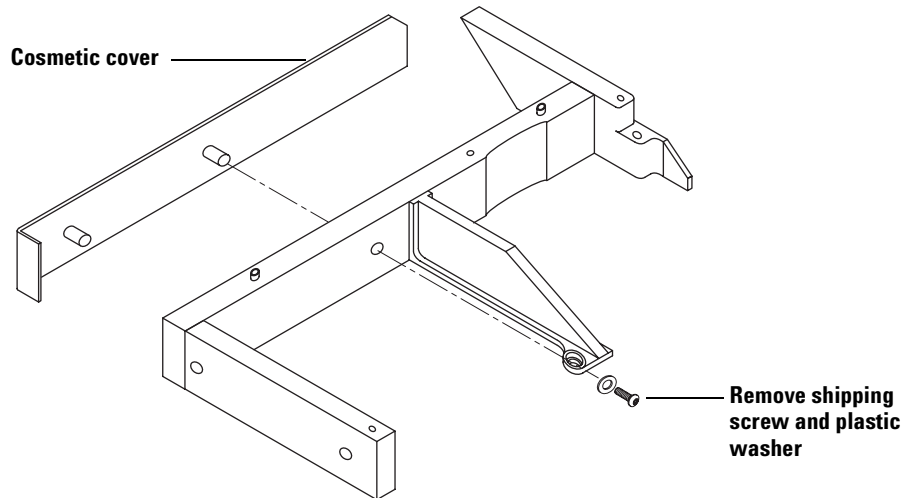


Figure 1 Remove the cosmetic cover

- 2 Use two short screws (10 mm) to install the cosmetic cover on the side of the bracket. See Figure 2.

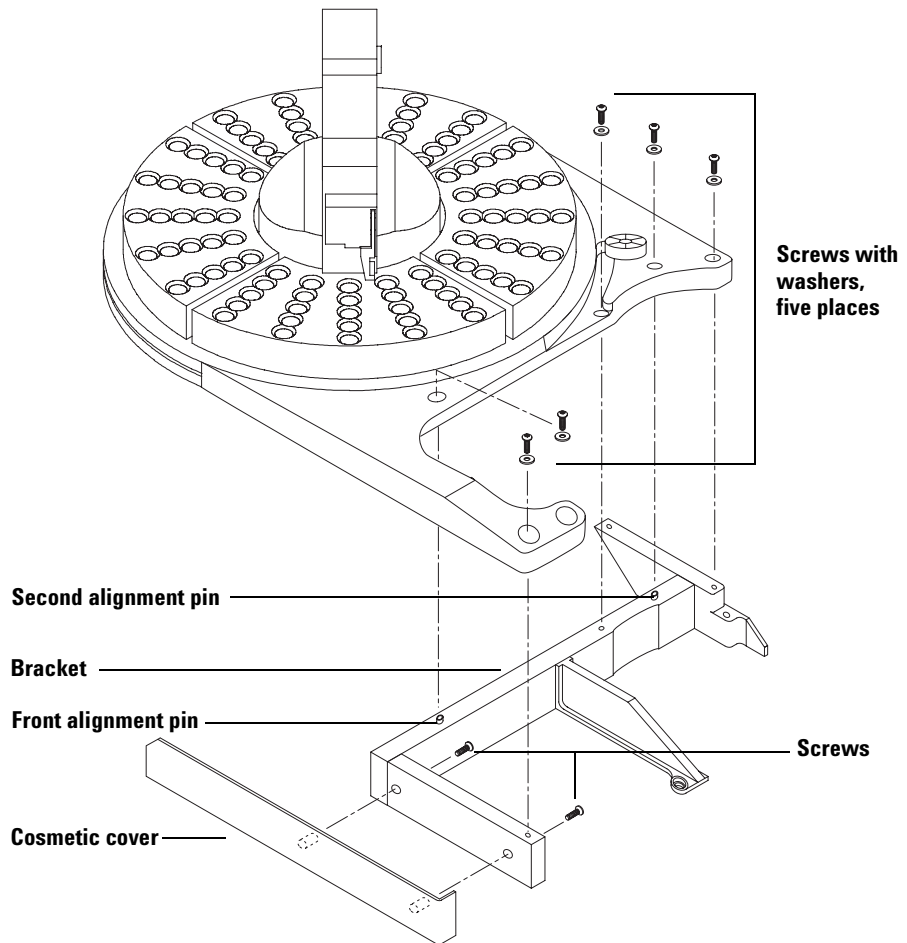


Figure 2 Installing the upgrade bracket

- 3** Set the tray on the upgrade bracket from the kit so that the front pin on the upgrade bracket fits into the mating hole in the bottom of the tray (Figure 2). Align the tray to the second alignment pin on the upgrade bracket.
- 4** Insert and tighten the five screws with washers to secure the tray to the upgrade bracket.

Installing the converted tray on a 6890 GC

- 1 Remove the three inlet cover Torx screws (Figure 3).

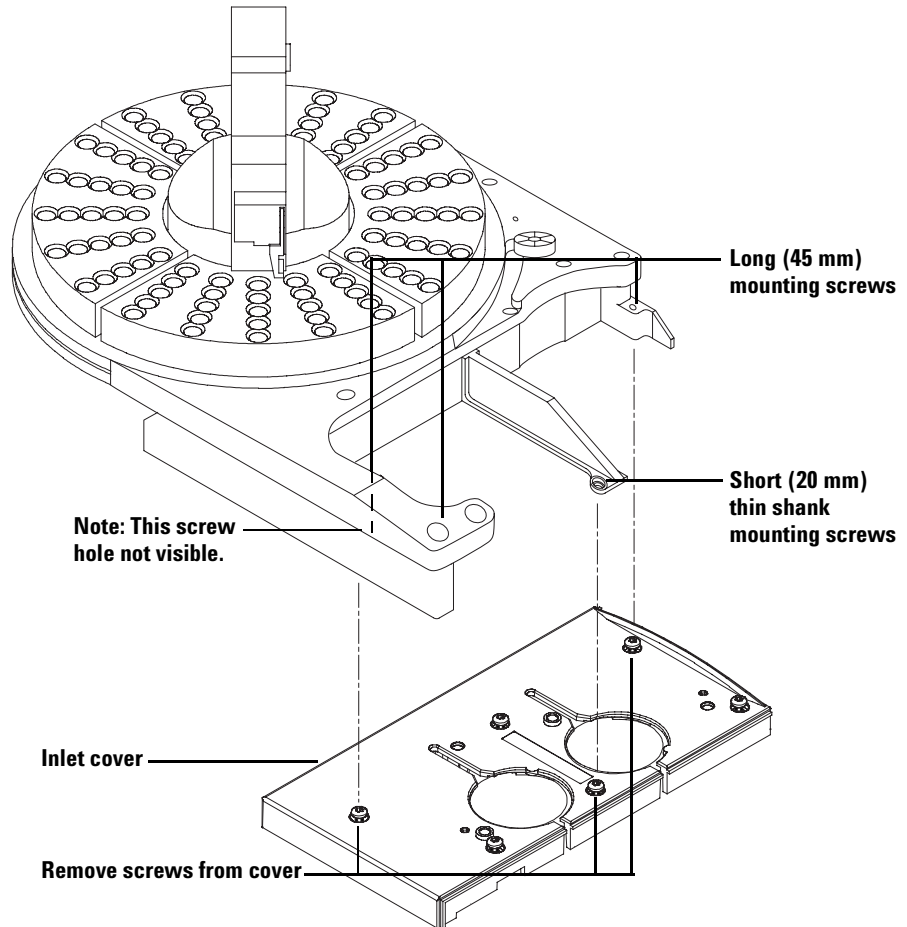


Figure 3 Installing the tray

- 2 Align the tray over the two left holes in the inlet cover. Tighten the short screw in the center of the tray mounting arm to hold the tray. Install the two long mounting screws into the tray and tighten until the tray is secure.

- 3 Install the tray quadrants (Figure 4). Be sure to match the numbers on the quadrants with the tray base numbers.

Slide the leading edge of each quadrant under the guides on the tray, then snap the front tab into the slot on the tray.

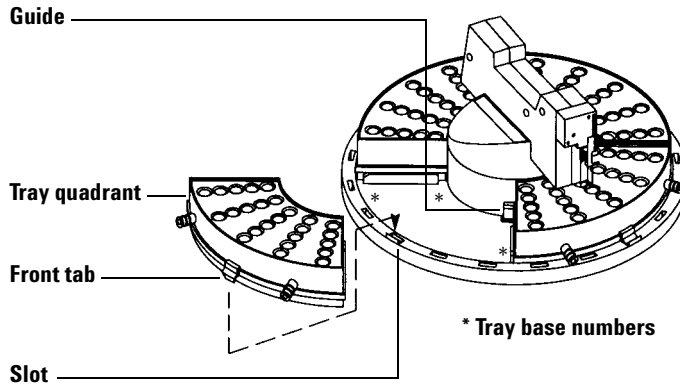


Figure 4 Install the tray quadrants

- 4 Connect the tray cable from the back of the tray (near the drain fitting) to the **Tray** connector on the back of the G2912A Controller (6890A) or the **Tray** connector on the back of the GC (6890 Plus and 6890N).



Agilent Technologies

© Agilent Technologies, Inc. 2004

No part of this manual may be reproduced in any form or by any means (including electronic storage and retrieval or translation into a foreign language) without prior agreement and written consent from Agilent Technologies, Inc. as governed by United States and international copyright laws.

G2917-90010

First edition, July 2004

Printed in USA

Agilent Technologies, Inc.
2850 Centerville Road
Wilmington, DE 19808-1610 USA

CAUTION

A **CAUTION** notice denotes a hazard. It calls attention to an operating procedure, practice, or the like that, if not correctly performed or adhered to, could result in damage to the product or loss of important data. Do not proceed beyond a **CAUTION** notice until the indicated conditions are fully understood and met.
