

## **Agilent 490 Micro GC**

### **Manual Injection Port Field Kit**

### **Installation Instructions**

This document describes the installation of the field kits for the manual injection ports (septum nut and luerlock) at the front of the Agilent 490 Micro GC.

#### **NOTE**

When the Agilent 490 Micro GC is equipped with a standard unheated front inlet, an additional field upgrade kit for the sample inlet box is required. The part number for a dual cabinet Agilent Micro GC is CP490202, for the quad cabinet Agilent Micro GC use part number CP190203.

---



**Table 1** Parts list for the four kit types

Description and Part number	Kit types available			
	CP490204 Septum	CP490205 Luerlock	CP490206 Septum + Rear	CP490207 Luerlock + Rear
Bracket with pressure relief valve CP742849/CP742987	X	X		
Bracket with pressure relief valve + ball-valve CP742849/CP742987/CP958942			X	X
Sample in bracket CP739952	X	X	X	X
Torx screw M4 × 8 CP86757	X	X	X	X
Bulkhead reducing union 1/8 × 1/16-inch CP72472	X		X	
Septum injection port Assy CP742983	X		X	
Septum low bleed 10/pk (Spare part) CP724384	X		X	
ZF2SI Support 1/pk (Spare part) CP742990	X		X	
Unheated sample inlet CP740570		X		X
Fitting ext. luerlock 10-32 thrd 1/pk VLZLA1		X		X
Female luerlock adapter to 1/16-inch ftgs CP914757		X		X



CP742983



VLZLA1



CP914757

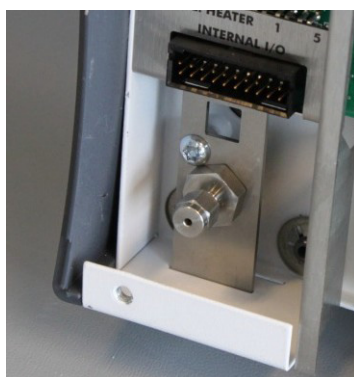
## Mounting the Sample-in at the Front of the Agilent 490 Micro GC

- 1 Remove the side and front panels of the Agilent 490 Micro GC.
- 2 Make a hole in the preferred place on the front panel next to Sample 1. See [Figure 1](#).



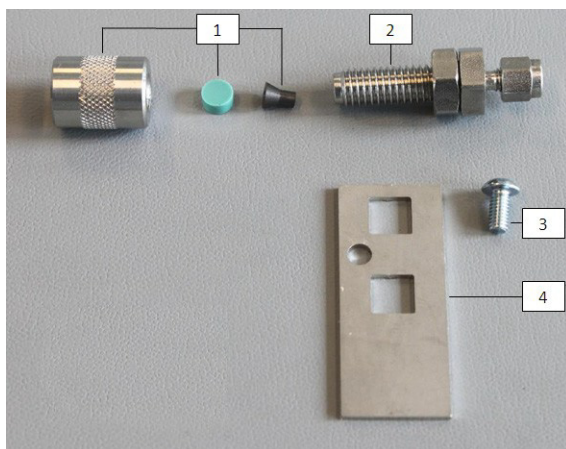
**Figure 1** Sample 1 front panel hole

- 3 Install the sample bracket. See [Figure 2](#).



**Figure 2** Sample bracket

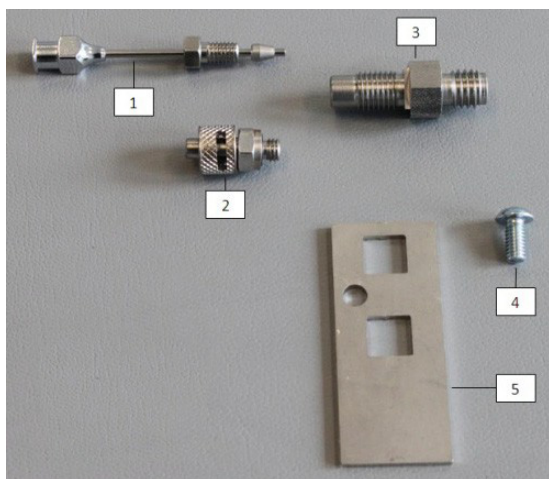
If using the Injection-Port CP490204 or CP490206 use the parts listed in [Figure 3](#).



- 1. CP742983
- 2. CP72472
- 3. CP86757
- 4. CP739952

**Figure 3** Sample bracket parts for CP490204 or CP490206

If using the Injection-Port CP490205 or CP490207 use the parts listed in [Figure 4](#).

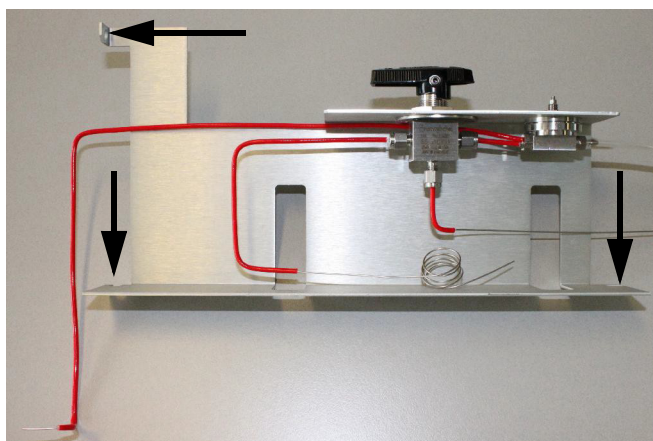


- 1. VLZLA1
- 2. CP914757
- 3. CP740570
- 4. CP86757
- 5. CP739952

**Figure 4** Sample bracket parts for CP490205 or CP490207

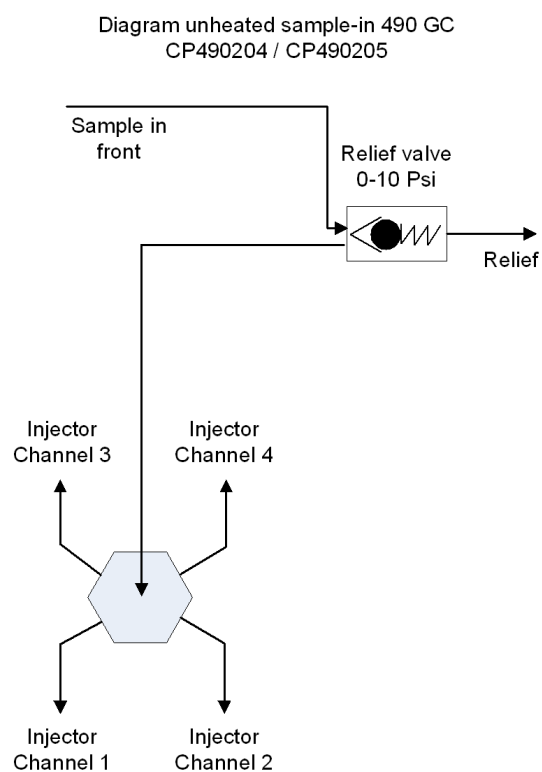
- 4 Reinstall the front panel.
- 5 In case of heated or unheated Sample-Inlet on the rear remove the Sample-Inlet-Box.

Place the preassembled bracket above the sample parts. To fix the bracket use three M4 Torx screws, p/n CP86757. See [Figure 5](#) for placement of the screws.

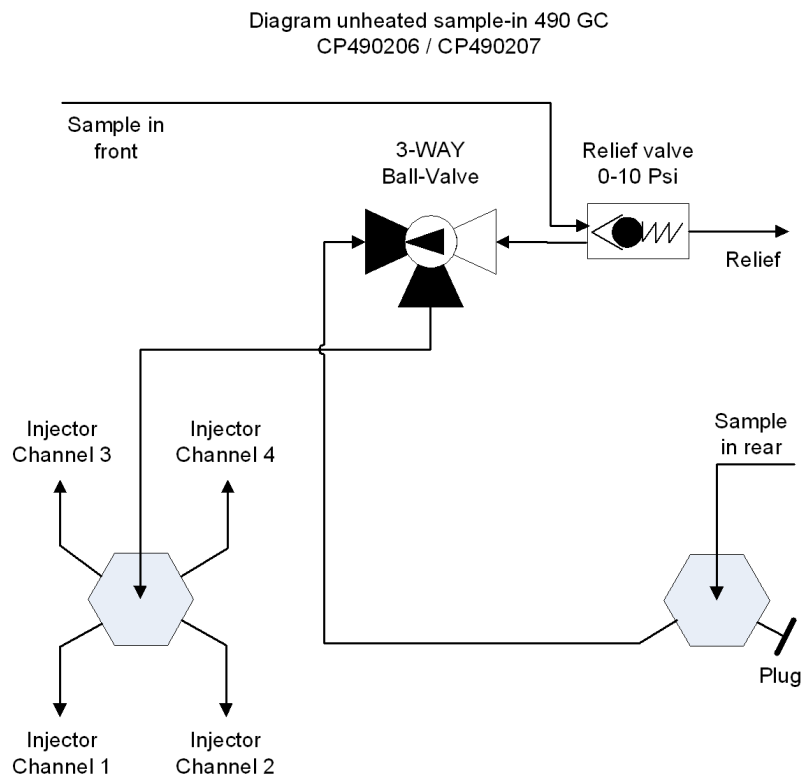


**Figure 5** Sample bracket parts for CP490205 or CP490207

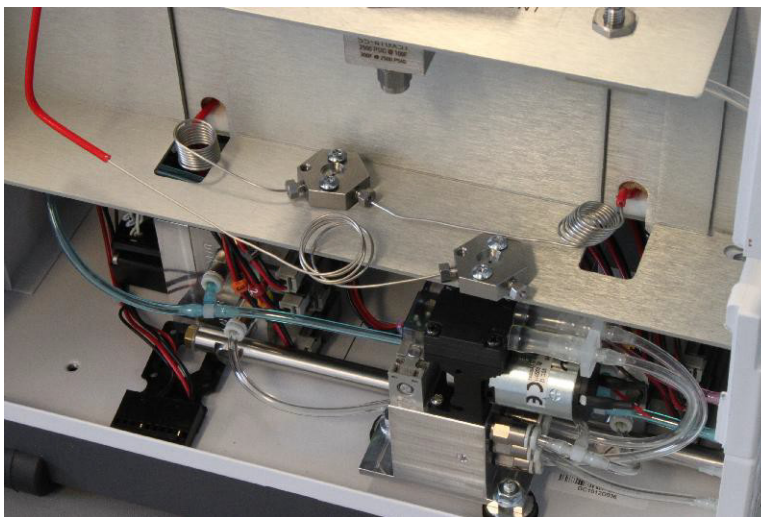
The diagrams below show the differences for the different field kits ([Figure 6](#) and [Figure 7](#)). Plumb the tubing according to these diagrams and [Figure 8](#).



**Figure 6** Diagram of unheated sample-in-Agilent 490 Micro GC for CP490204 or CP490205

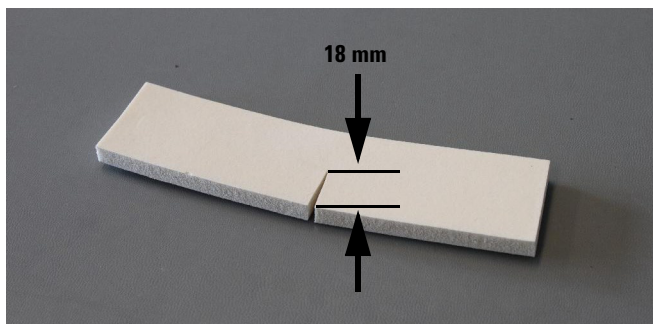


**Figure 7** Diagram of unheated sample-in-Agilent 490 Micro GC for CP490206 or CP490207

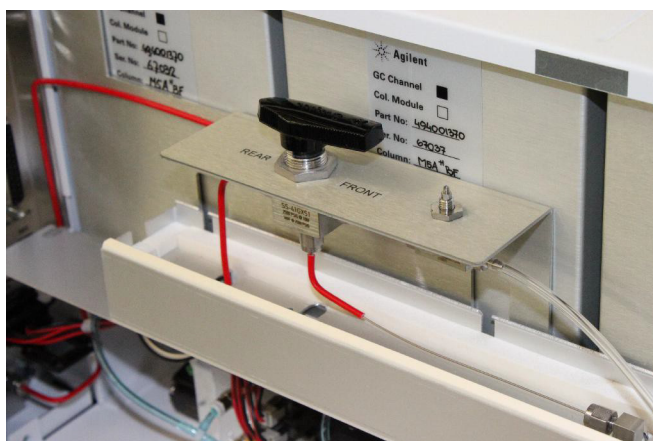


**Figure 8** Diagram of unheated sample-in-Agilent 490 Micro GC

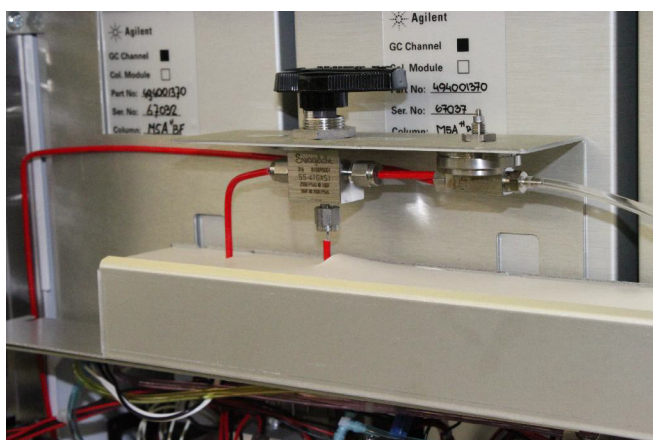
- 6 Make an 18 mm incision in the upper insulation plate as seen in [Figure 9](#) and install it in the Sample-Inlet-Box, see [Figure 10](#) and [Figure 11](#).



**Figure 9** Upper insulation plate



**Figure 10** Sample-Inlet-Box without insulation



**Figure 11** Sample-Inlet-Box with insulation

- 7 Reinstall the side panel.



### **Warranty**

**The material contained in this document is provided "as is," and is subject to being changed, without notice, in future editions. Further, to the maximum extent permitted by applicable law, Agilent disclaims all warranties, either express or implied, with regard to this manual and any information contained herein, including but not limited to the implied warranties of merchantability and fitness for a particular purpose. Agilent shall not be liable for errors or for incidental or consequential damages in connection with the furnishing, use, or performance of this document or of any information contained herein. Should Agilent and the user have a separate written agreement with warranty terms covering the material in this document that conflict with these terms, the warranty terms in the separate agreement shall control.**

© Agilent Technologies, Inc. 2017  
Printed in USA and China  
Second edition, August 2017  
Agilent Technologies, Inc.  
2850 Centerville Road  
Wilmington, DE 19808-1610 USA