

Agilent G4243A 2D-LC ASM Valve Guide

Technical Note

This Technical Note describes advantages, the use, configuration and installation of the Agilent 2D-LC Active Solvent Modulation (ASM) Solution.

Contents

Active solvent Modulation (ASM)	2
Introduction to Active Solvent Modulation (ASM)	2
Operating Principle	4
Configuration	7
Adjusting the split ratio	7
Configure the ASM Valve	8
Method development	10
Method parameters	10
Optimizing the dilution by using ASM capillaries	11
Optimizing the sample loop flush	11
Including the ASM phase to the 2D gradient	12
Optimizing dilution through method settings	13
Understanding the ASM factor	14
Comprehensive 2D-LC and Active Solvent Modulation	16
Software Compatibility	16
Installation	17
Delivery checklist	17
Installation Instructions	18
Valve head parts information	23
Replacement Parts	23
Valve Head Parts	24
Technical specifications	24



Active solvent Modulation (ASM)

Introduction to Active Solvent Modulation (ASM)

In conventional 2D-LC, ¹D solvent in the sample loop is injected to the second dimension column. If the ¹D solvent has high elution strength in respect to the ²D column, it impairs separation in the second dimension. This results in unretained elution, broad and distorted peaks, and loss of separation (see [Figure 2](#) on page 3).

Active Solvent Modulation (ASM) dilutes the content of the sampling loop (sample and ¹D solvent) with weak ²D solvent before it reaches the ²D column and therefore improves the separation in the second dimension (see [Figure 3](#) on page 3).

Different ASM capillaries allow optimizing the dilution for different applications (see [“Understanding the ASM factor”](#) on page 14).

The ASM solution is primarily designed for 2D-LC modes multiple heart-cutting and high-resolution sampling. The 2D-LC Valve ASM is backward compatible to the standard 2D-LC valve G4236A. If ASM is not needed or for use in comprehensive 2D-LC, the ASM functionality can be disabled.

ASM is based on the 2D-LC Valve ASM G4243A and requires the InfinityLab 2D-LC solution and 2D-LC Software A.01.04 or later.

Example: ASM with HILIC in ¹D and reversed phase in ²D

In this example, a HILIC separation was run in the first dimension and a reversed phase separation in the second dimension. If sample cuts are transferred to the second dimension, 40 μ L of high organic solvent are brought to a reversed phase column.*

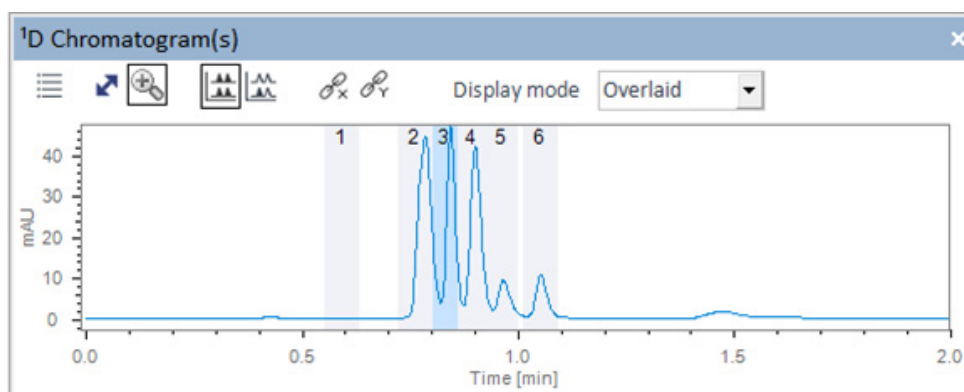


Figure 1 Analysis of pesticides using a HILIC separation with high organic solvent composition in ¹D

2D resolution with conventional valve

The high elution strength of ¹D solvent causes bad separation with broad and distorted peaks in the left ²D chromatogram.

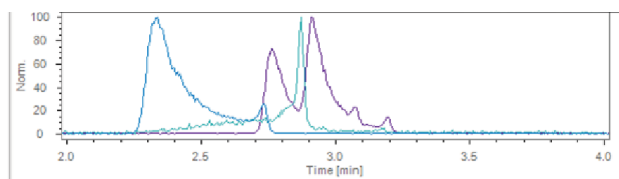


Figure 2 Conventional analysis of Cut#3 using a reversed phase separation in ²D

2D resolution with ASM valve

In the right 2D chromatogram a 2D-LC Valve ASM was used instead of a conventional 2D-LC valve. Peaks are resolved and the sensitivity is increased.

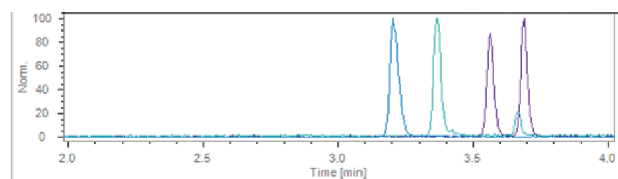


Figure 3 ASM analysis of Cut#3 using a reversed phase separation in ²D

* ¹D analysis of pesticides using: ¹D: Zorbax RX-SIL (150 x 2.1 mm ID, 5 μ m), A = 10 mM NH₄Ac in H₂O; B = ACN, Gradient: 100 to 95% acetonitrile in 5 min, 500 μ L/min. MHC with 40 μ L loops. ²D : Bonus RP (50 x 2.1 mm, 1.8 μ m), H₂O/acetonitrile gradient (0.2% formic acid), weak solvent 3% acetonitrile, 400 μ L/min, EICs from conventional 2D-LC (undiluted)

Operating Principle

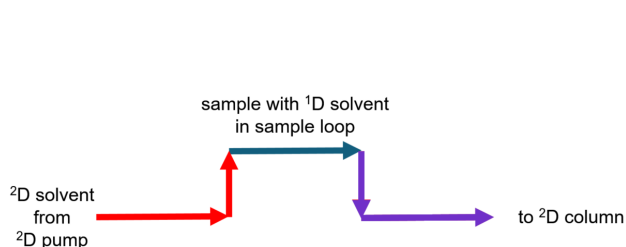


Figure 4 Operating principle with sample loop in flow path (schematic view)

¹D Solvent in the sample loop is partially diluted by ²D solvent from the ²D pump.*

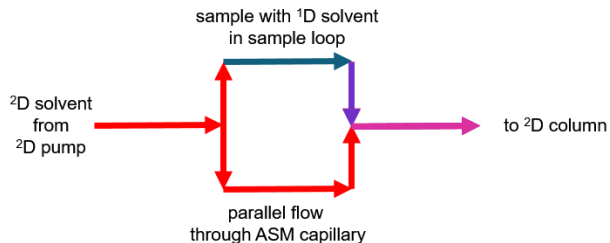


Figure 5 Operating principle with sample loop and ASM capillary in parallel flow path (schematic view)

Introducing a parallel flow through an ASM capillary strongly dilutes ¹D solvent with weaker ²D solvent. These solvent conditions focus the sample on the head of the ²D column and therefore enable a good separation.*

* red: ²D solvent from ²D pump, blue: sample with ¹D solvent in sample loop

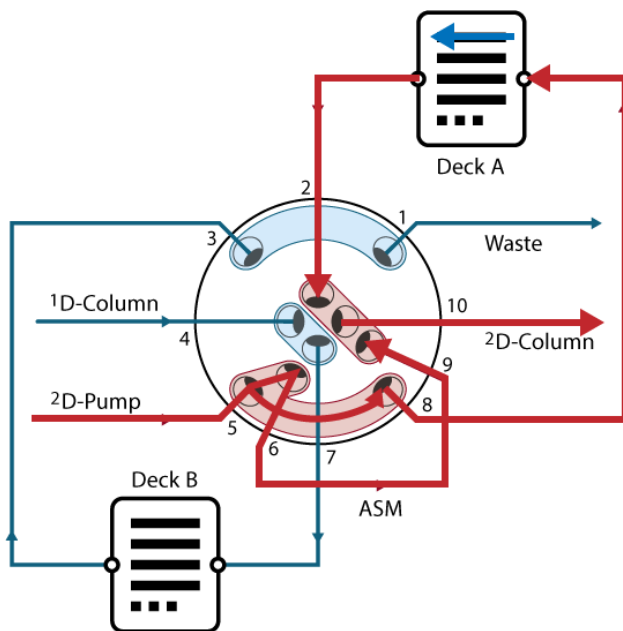


Figure 6 Operating principle with sample loop and ASM capillary in parallel flow path

This is how the same flow path looks inside the 2D-LC valve ASM. The flow coming from the ²D pump splits up at valve port 10. One part goes through the sample loop in deck A and carries parked sample cuts and ¹D solvent. The other part of ²D solvent goes through the ASM capillary between valve ports 9 and 6. Flows unite at port 5 and ¹D solvent is diluted before it arrives at the ²D column head.

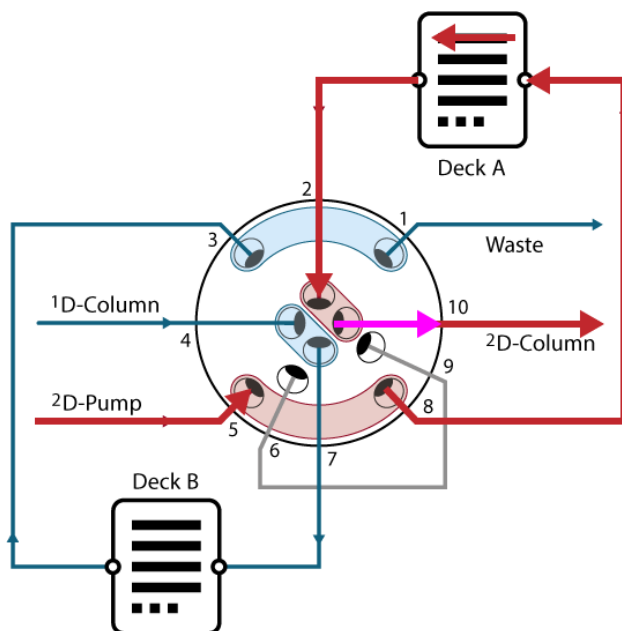


Figure 7 Operating principle with sample loop flow path

Once the ASM phase has finished, which is a settable method parameter, the analytical gradient starts. As opposed to a dilution with a permanent by-pass, the ASM capillary is no longer in the flow path, such that fast ²D gradients are possible through the sample loop only.

Active solvent Modulation (ASM)

Operating Principle

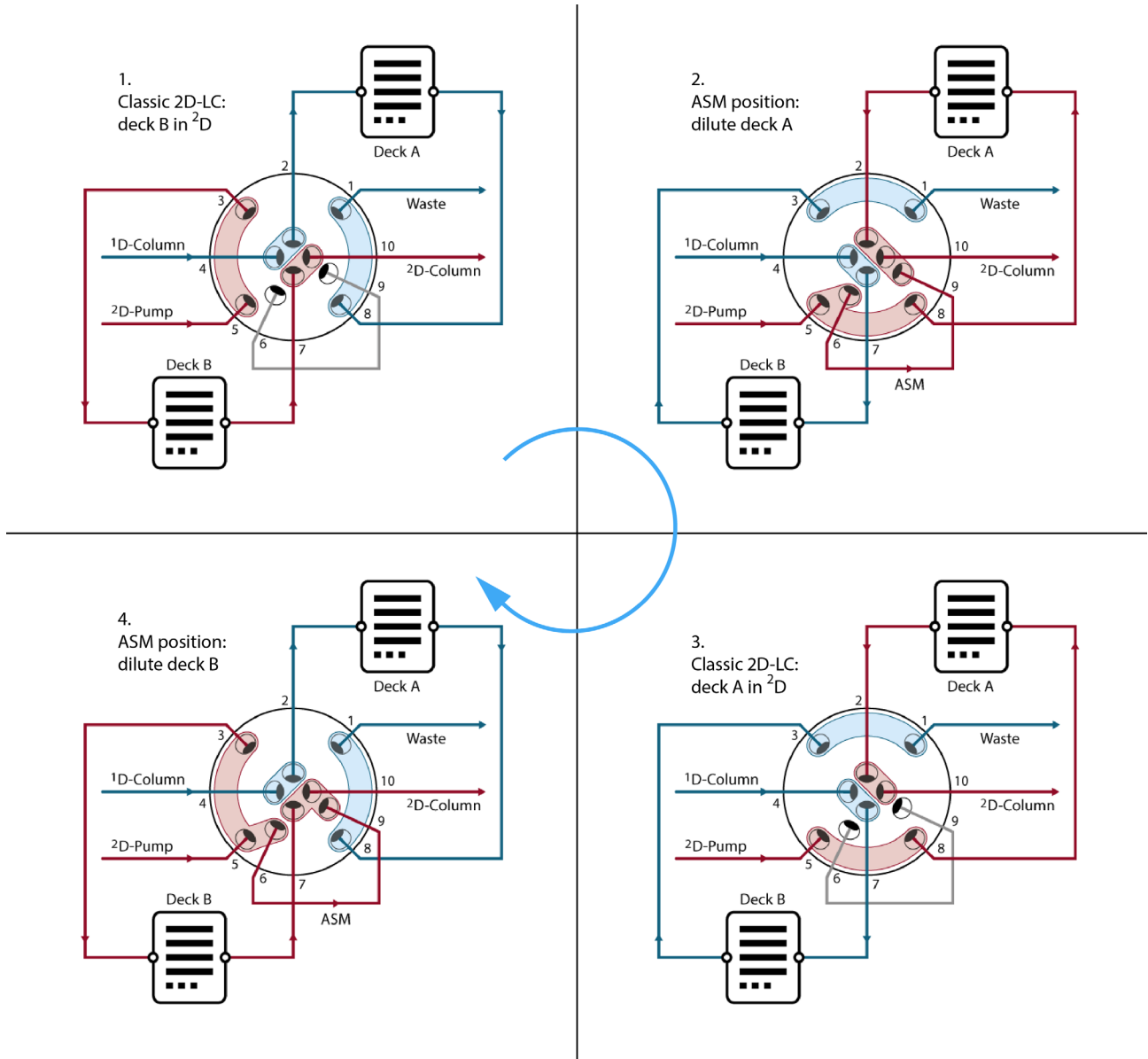


Figure 8 Switching cycle of the ASM valve (countercurrent mode)

- | | |
|---|--|
| 1 | Cuts are parked in deck A. |
| 2 | ² D solvent flows through deck A and the ASM capillary. |
| 3 | ASM capillary leaves flow path, normal analysis with flow passing deck A. Further cuts are meanwhile parked in deck B. |
| 4 | Cuts in deck B are analyzed with ASM. |
| 5 | = 1. Cuts in deck B are further analyzed without ASM, new cuts are parked in deck A. |

A full switching cycle of the ASM valve has 4 positions. Positions 1 and 3 are the same as for the standard 2D-LC valve G4236A. The ASM valve has two additional positions in step 2 and 4. In both steps, the ASM capillary is in the second dimension and dilutes solvent in deck A and B, respectively.

Configuration

Adjusting the split ratio

Different ASM capillaries are available for adjusting the split ratio and therefore the dilution.

The method can therefore be optimized either for optimum resolution (strong dilution) or lowest cycle time (weak dilution).

Configure the ASM Valve

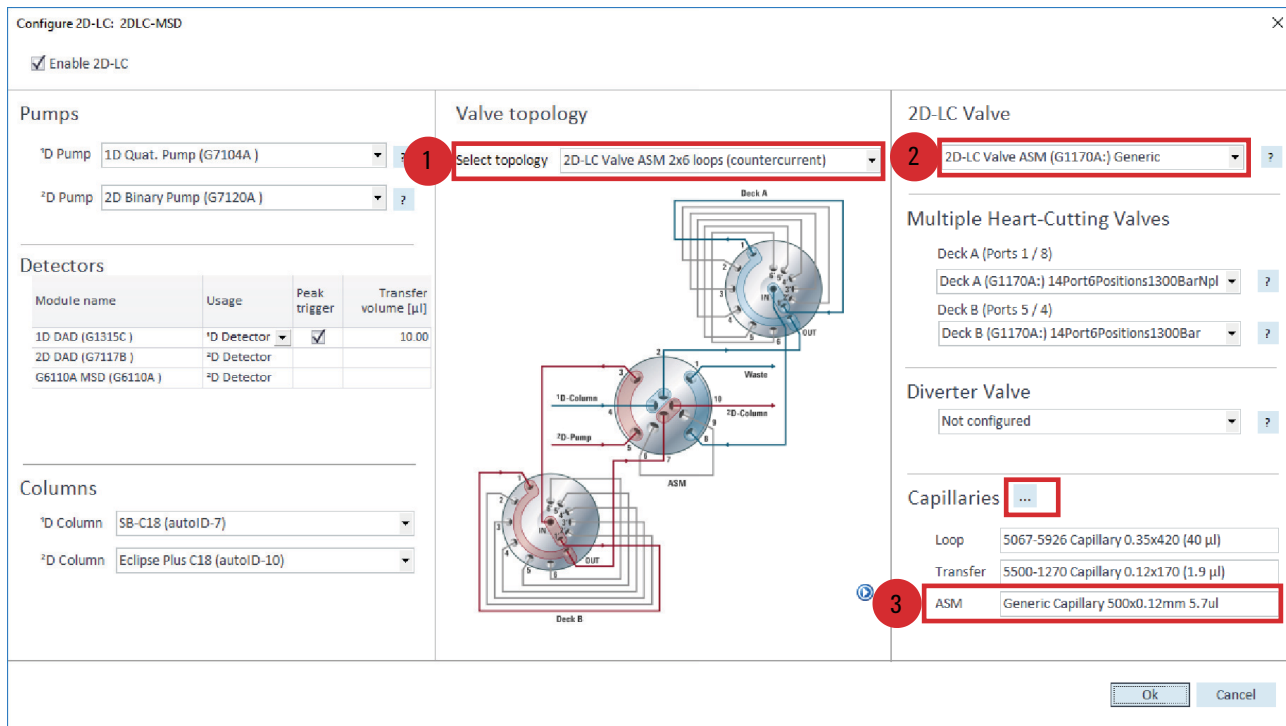


Figure 9 ASM Valve configuration (overview)

- 1 Select a topology for using the ASM Valve.
- 2 Choose the ASM Valve as 2D-LC Valve. This is usually done automatically based on installed valves.
- 3 Choose an ASM capillary. This defines the split ratio.

Preparations

All modules including the ASM Valve are configured in OpenLAB CDS ChemStation Edition.

- 1 Select a valve topology using an ASM Valve.

HINT

For minimum carry-over, please use counter-current installation for the ASM Valve.

- 2 Select the ASM Valve as 2D-LC Valve (which is usually pre-selected).

- 3 Define the ASM capillary.
 - a To configure capillaries, click on **Capillaries...** (see [Figure 9](#) on page 8).
 - b Select any of the pre-defined ASM capillaries.

The 'Setup Capillaries' dialog box contains a table with the following data:

	Capillary Name (P/N)	Length [mm]	Diameter [mm]	Volume [μl]
Sample loop capillary	5067-5926 Capillary 0.35x420 (40 μl)	420	0.35	40.4
Transfer capillary between 2D-LC valve and MHC-valve	5500-1270 Capillary 0.12x170 (1.9 μl)	170	0.12	1.9
ASM capillary	5500-1300 Capillary 0.12x85 (1.0 μl)	85	0.12	1.0

Below the table, the 'ASM factor' is set to 5.1. 'Ok' and 'Cancel' buttons are at the bottom right.

Figure 10 Configuration of the ASM valve with predefined capillaries

OR

If you are using a different capillary, you can choose **Generic Capillary**

The 'Setup Capillaries' dialog box contains a table with the following data:

	Capillary Name (P/N)	Length [mm]	Diameter [mm]	Volume [μl]
Sample loop capillary	5067-5926 Capillary 0.35x420 (40 μl)	420	0.35	40.4
Transfer capillary between 2D-LC valve and MHC-valve	5500-1270 Capillary 0.12x170 (1.9 μl)	170	0.12	1.9
ASM capillary	Generic Capillary	500	0.12	5.7

Below the table, the 'ASM factor' is set to 1.7. 'Ok' and 'Cancel' buttons are at the bottom right.

Figure 11 ASM valve configuration (overview)

In this case, you need to enter two of following three parameters: length, diameter or volume. These parameters are required for calculating the flush volume and back pressure, see [“Understanding the ASM factor”](#) on page 14

The ASM factor is calculated and displayed based on selected capillaries.

- 4 Install capillary connections as displayed in figure **Valve topology** in the UI, see [Figure 9](#) on page 8.

NOTE

Please note that ASM capillaries are labeled with ASM (in contrast to transfer and other capillaries).

NOTE

Please note that port positions given in the MHC valve configuration in 2D-LC Software A.01.04 refer to standard 2D-LC valves, not ASM. Please use correct ports displayed figure **Valve topology**. This will be corrected in 2D-LC Software A.01.04 SR1.

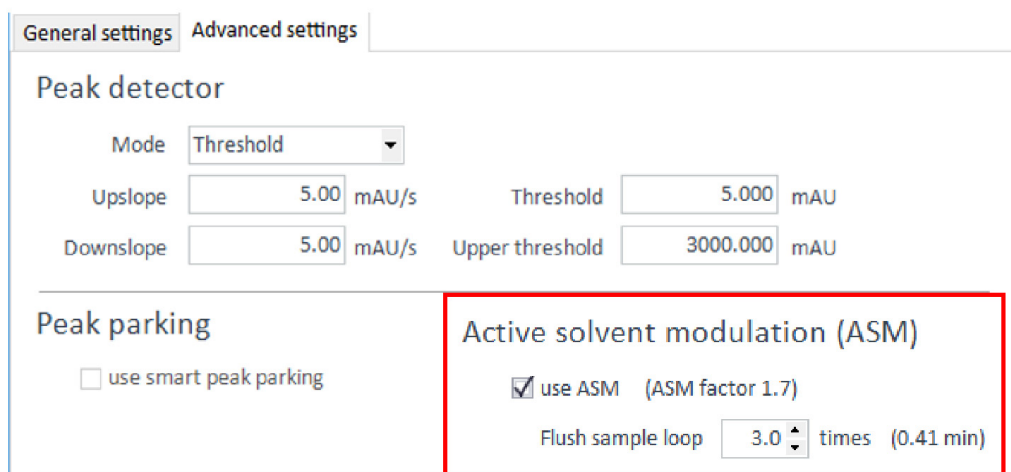
Method development

ASM method development helps finding the optimal dilution of ¹D solvents in the sample loop for best ²D resolution at lowest cycle time.

After switching on the ASM functionality (see “[Method parameters](#)” on page 10), execute the steps in the following order:

- 1 “[Optimizing the dilution by using ASM capillaries](#)” on page 11
- 2 “[Optimizing the sample loop flush](#)” on page 11
- 3 “[Including the ASM phase to the 2D gradient](#)” on page 12
- 4 “[Optimizing dilution through method settings](#)” on page 13

Method parameters



The screenshot shows the 'Advanced settings' tab of a software interface. It is divided into two main sections: 'Peak detector' and 'Peak parking'. The 'Peak detector' section includes a 'Mode' dropdown set to 'Threshold', 'Upslope' and 'Downslope' input fields both set to 5.00 mAU/s, and 'Threshold' and 'Upper threshold' input fields set to 5.000 mAU and 3000.000 mAU respectively. The 'Peak parking' section has an unchecked checkbox for 'use smart peak parking'. A red rectangular box highlights the 'Active solvent modulation (ASM)' section, which contains a checked checkbox for 'use ASM' (with an ASM factor of 1.7) and a 'Flush sample loop' input field set to 3.0 times (0.41 min).

Figure 12 Method parameters for the ASM Valve (example)

Advanced settings of 2D-LC method parameters allow switching on and off the use of the ASM functionality.


- If this option is off, it works as a standard 2D-LC valve without dilution.
- If this option is on, the user can set how often he wants to flush the sample loop during the ASM phase.

Optimizing the dilution by using ASM capillaries

A choice of four different ASM capillaries is available for achieving best results. Longer capillaries reduce, shorter capillaries increase the dilution of ¹D solvent in the sample loop.

Install and configure different ASM capillaries (see “Configure the ASM Valve” on page 8) for optimizing the results.

Capillary p/n	Length (mm)	Inner diameter (mm)	Volume (µl)	ASM factor	Split ratio (loop:ASM)
5500-1300	85	0.12	0.96	5	1:4
5500-1301	170	0.12	1.9	3	1:2
5500-1302	340	0.12	3.8	2	1:1
5500-1303	680	0.12	7.7	1.5	1:0.5



Optimizing the sample loop flush

Activate ASM in the software and set Flush sample loop to 3.0 times.

NOTE

Flushing the sample loop 3 times is typically enough and the recommended default. Less time may be sufficient and can be verified during optimization. The user interface displays how long this will take.

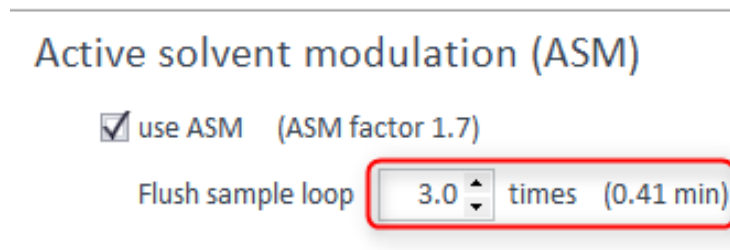


Figure 13 Set Flush sample loop (example)

Including the ASM phase to the 2D gradient

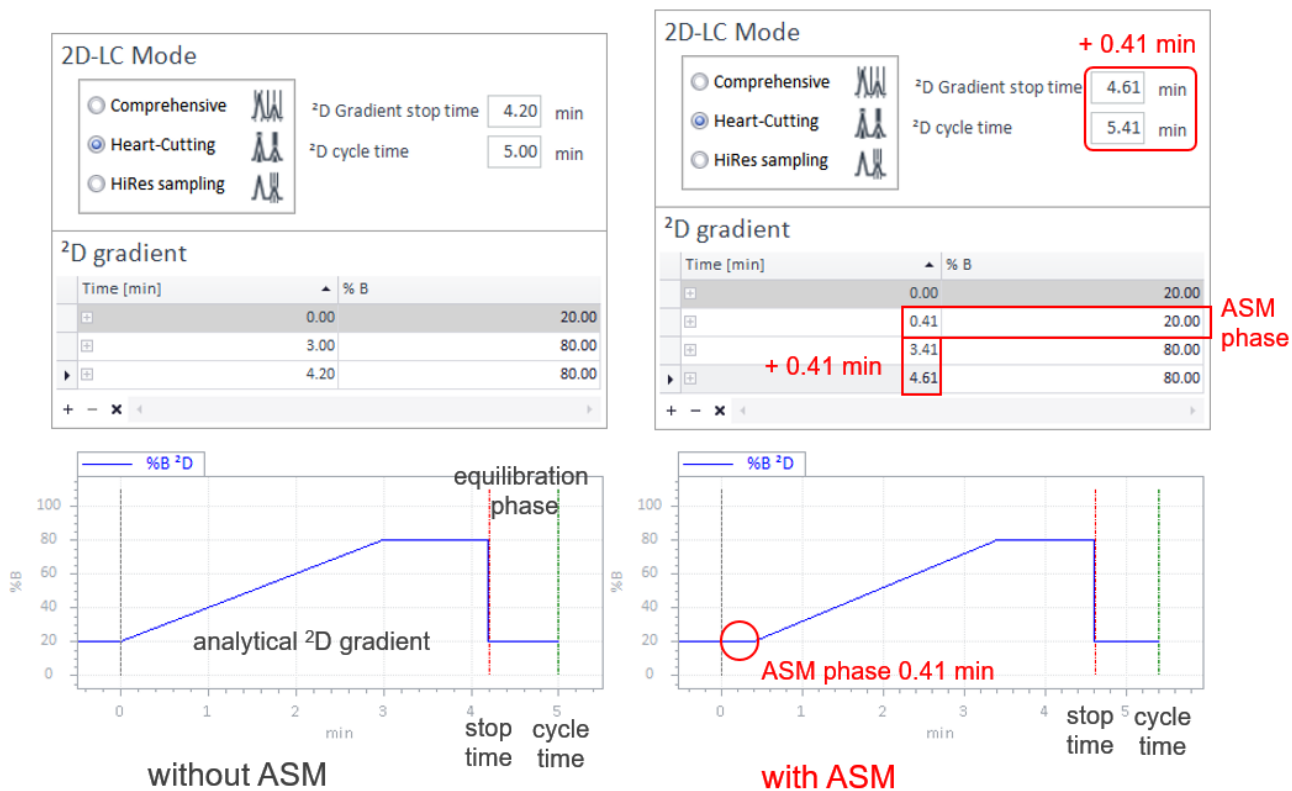


Figure 14 Programming the 2D gradient table (example)

Gradients that were programmed for the second dimension originally without ASM Valve must be shifted by the delay caused by this dilution during the ASM phase such that the analytical gradient starts after the ASM phase.

If the ASM phase takes for example 0.41 min (based on selected ASM capillary, flush factor and 2D flow rate), all times are shifted compared to a 2D gradient without ASM.

- Gradient ends later and the gradient stop time is increased by 0.41 min
- 2D Cycle time is increased accordingly
- One line is added to the gradient table for the ASM phase
- All times for the analytical gradient are shifted by 0.41 min.
This is true for shifted gradient steps as well (if applicable).

Optimizing dilution through method settings

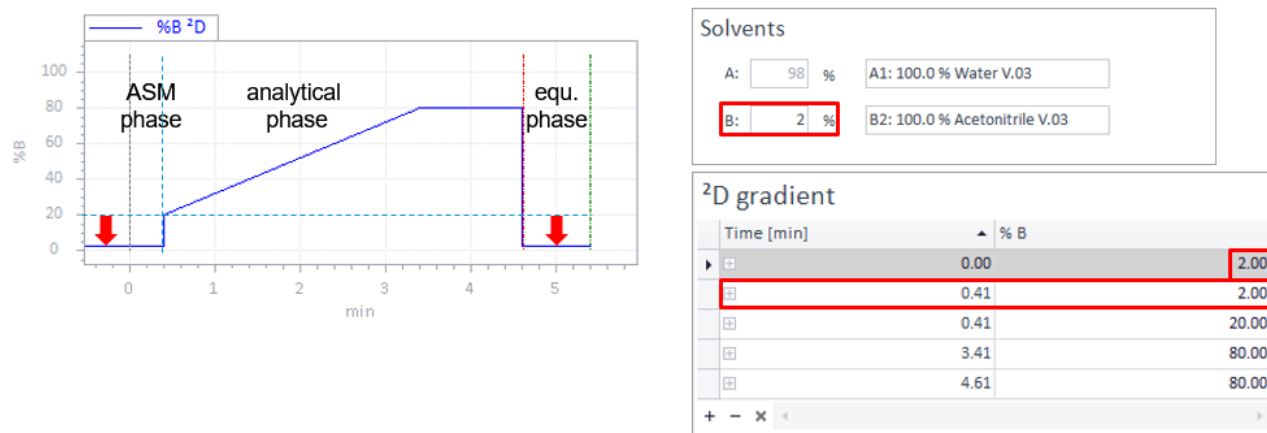


Figure 15 Optimizing separation by using a lower percentage of B for the ASM and column equilibration phase (example)

For optimizing separation, you may use a lower percentage of B for the ASM phase and column equilibration phase compared to the original gradient for increasing dilution before the ²D column.

If for example the original analytical gradient started at 20 % B, you may use an ASM phase of for example 2 % B for diluting ¹D solvent more strongly during the ASM phase by changing the gradient start condition and adding a line to the ²D gradient table for the ASM phase. The starting point for the analytical gradient does not change. The solvent composition of the equilibration phase is automatically reduced to the start condition.

Apply high-resolution sampling with small cut sizes. Small cut sizes reduce the transfer of solvent volume from ¹D to ²D, which can further improve solvent compatibility and ²D resolution.

Understanding the ASM factor

The principle of ASM is diluting ¹D sample loop solvent with ²D solvent.

The ASM solution achieves this dilution by a parallel flow of solvents via sample loop and ASM capillary.

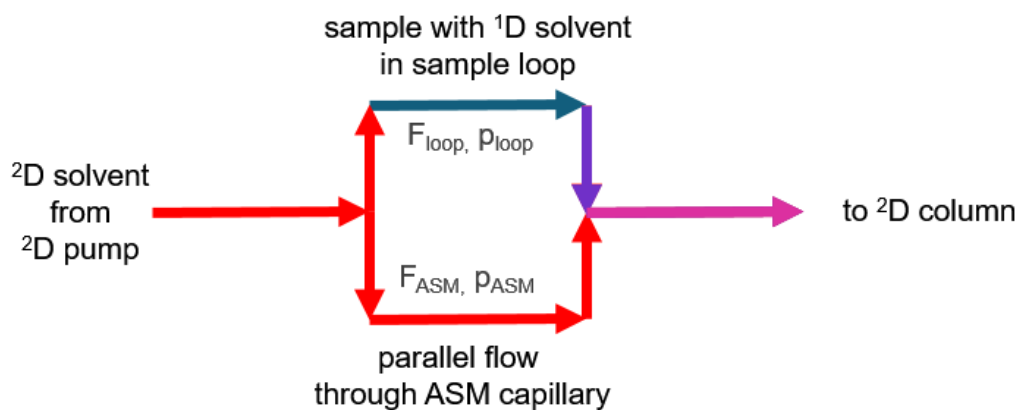


Figure 16 Principle of active solvent modulation (schematic view)

The flow rates F through these parallel capillaries depend on the different backpressures p of the capillaries in use. The backpressure of a capillary depends on the capillary length l , radius r to the power of 4, and the viscosity η of the solvent.

$$p = \frac{8\eta l F}{\pi r^4} \quad \text{Hagen-Poiseuille equation}$$

The Hagen-Poiseuille equation describes the relation of these parameters.

Different ASM capillary lengths have an effect on the following parameters:

- Capillary back pressure
- Dilution factor
- Optimum dilution for different applications

Example for calculation of split ratio and ASM factor.

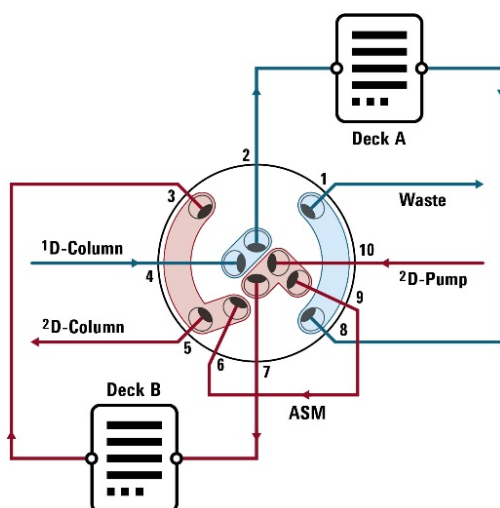


Figure 17 Backpressure of two flow paths in ASM

A longer capillary results in higher backpressure and therefore lower flow compared to a short capillary.

Example:

If the back pressure of the capillaries between ports 7 and 3 (2D-LC valve to sample loop and back) is twice as high as the back pressure of the ASM capillary between ports 9 and 6, twice as much solvent will run through the ASM capillary.

This will dilute 1D solvent in the sample loop by a factor of about 3, which is called the ASM factor.

NOTE

Usage of the ASM capillary kit results in the following situation:

- The capillaries in ASM branch and transfer branch have the same inner diameter.
- The two transfer capillaries are equally long.
- The difference between $ID_{loop} = 0.35$ mm and $ID_{capillaries} = 0.12$ mm is large. Therefore the backpressure of the loops is negligible (this is, because the radius enters the Hagen-Poiseuille-Equation with the power of 4).
- Solvent composition and their viscosity in the parallel flowpaths are not predictable.

In the recommended configuration with the ASM capillary kit (see note above) one can simplify the formulae for the calculation of split ratio and ASM factor as follows:

$$Split\ ratio = \frac{l_{ASM}}{(2l_{tc1,2})}$$

l_{ASM} = Length of ASM capillary

$l_{tc1,2}$ = Length of transfer capillary 1 or 2

$$ASM\ factor = 1 + \left(\frac{1}{Split\ ratio} \right)$$

NOTE

The ASM factor calculated by the software should not be considered to be a fix number but as a guiding value which is subject to method development.

Comprehensive 2D-LC and Active Solvent Modulation

The ASM Valve can also be used for improving comprehensive 2D-LC measurements, but it is primarily optimized for multiple heart-cutting and high-resolution sampling measurements.

The ASM phase contributes to the modulation cycle. When keeping the modulation time constant, this reduces available time for the separation phase of the cycle.

Otherwise, increasing the modulation time may require reducing the ¹D flow rate to fill the same sample loop volume. This would change ¹D chromatography.

The ASM solution requires back pressure from capillaries between the 2D-LC valve to multiple heart-cutting valves. Therefore, comprehensive 2D-LC sample loops cannot be installed directly at the ASM valve. In addition, comprehensive 2D-LC sample loops have standard fittings, which do not fit to the M4 ports of the ASM valve.

Please note that ASM valves require twice as many switches as a standard 2D-LC valve. Comprehensive 2D-LC uses many valve switches and in combination with ASM, this may reduce the maintenance interval of the valve.

Software Compatibility

The Active Solvent Modulation requires 2D-LC Software A.01.04 minimum. 2D-LC Software A.01.04 requires OpenLAB CDS Chemstation Edition C.01.07 SR3, LC Drivers A.02.16 and firmware A/B/C/D.07.20.

For details please refer to release notes for 2D-LC Software and OpenLAB CDS ChemStation Edition.

Installation

Delivery checklist

p/n	Description
G4243-90000	Agilent G4243A 2D-LC ASM Valve Guide Technical Note
5067-4266	2D-LC ASM Valve Head, 1300 bar
G4236-68000	2D-LC Easy Starter Kit
G1680-63721	Network LAN Switch
5500-1300	Capillary ST 0.12x85M/M ASM
5500-1301	Capillary ST 0.12x170M/M ASM
5500-1302	Capillary ST 0.12x340M/M ASM
5500-1303	Capillary ST 0.12x680M/M ASM
5500-1376	Capillary ST 0.12x170M/M transfer
5067-6171	Capillary Kit 2D-LC, Infinity Classic (optional)
5067-6585	Capillary Kit 2D-LC, 1290 Infinity II

For re-ordering parts, see [“Replacement Parts”](#) on page 23.

Installation Instructions

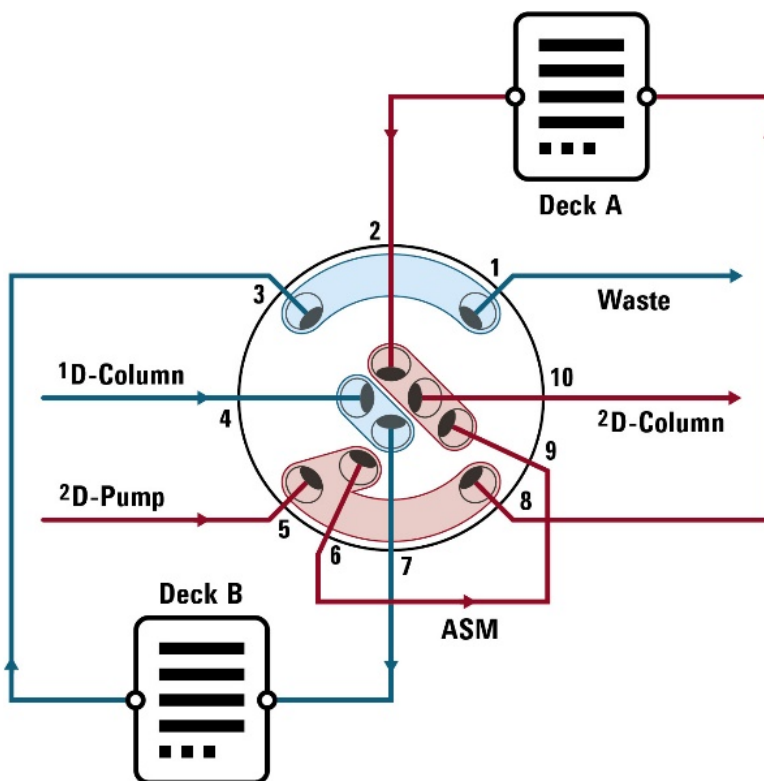
Setup

The installation of the valve depends on whether a co- or counter-current configuration shall be used. When working in ASM mode, Agilent recommends using a counter-current configuration. This section describes the setup for a counter-current configuration of the ASM Valve. For the co-current setup, please refer to “[Co-current Configuration](#)” on page 19

The installation of a 2D-LC system depends on which modules you are using for which 2D-LC mode and is described in the 2D-LC Quick Installation Guide G4236-90020, which you can find on your 2D-LC Software DVD in folder documentation or on www.agilent.com using the guide part number.

In that documentation, the 2D-LC Valve ASM G4243A can be used in place of a standard 2D-LC Valve G4236A. For installation of connections to the system (¹D column, ²D column, ²D pump and waste), please refer to the *Quick Installation Guide*.

The connection scheme is displayed in the graphical user interface of the 2D-LC Configuration as Valve Topology:




Please install following capillary connections:

Port	Type	Connection	Capillary
1	10-23	to waste	See <i>Quick Installation Guide</i>
2	M4	transfer capillary from MHC Valve, deck A	5500-1376
3	M4	transfer capillary from MHC Valve, deck B	5500-1376
4	10-23	to ¹ D column, ¹ D detector or pressure release kit	See <i>Quick Installation Guide</i>
5	10-23	from ² D pump	See <i>Quick Installation Guide</i>
6	M4	outlet to ASM capillary	See list below
7	M4	transfer capillary to MHC Valve, deck B	5500-1376
8	M4	transfer capillary to MHC Valve, deck A	5500-1376
9	M4	inlet from ASM capillary	See list below
10	10-23	to 2D column	See <i>Quick Installation Guide</i>

List of ASM capillaries:

Which ASM capillary shall be used depends on the ASM factor, which is optimum for your application. You may choose from following capillaries:

Capillary p/n	Length (mm)	Inner diameter (mm)	Volume (µl)	ASM factor	Split ratio (loop:ASM)
5500-1300	85	0.12	0.96	5	1:4
5500-1301	170	0.12	1.9	3	1:2
5500-1302	340	0.12	3.8	2	1:1
5500-1303	680	0.12	7.7	1.5	1:0.5



Co-current Configuration

Co-current configuration may be used if the ASM valve is used as standard 2D-LC valve (set ASM mode off in 2D-LC method).

When using this configuration, please choose it as topology in the 2D-LC configuration. It will display all connections required. Please install capillaries accordingly.

Install the valve head and connecting capillaries

NOTE

The following procedure exemplarily shows a valve head installation. For correct capillary connections see **Valve topology** in the GUI.

CAUTION

The valve actuator contains sensitive optical parts, which need to be protected from dust and other pollutions. Pollution of these parts can impair the accurate selection of valve ports and therefore bias measurement results.

→ Always install a valve head for operation and storage. For protecting the actuator, a dummy valve head can be used instead of a functional valve. Do not touch parts inside the actuator.

NOTE

For a correct installation of the valve head, the outside pin (red) must completely fit into the outside groove on the valve drive's shaft (red). A correct installation is only possible if the two pins (green and blue) on the valve head fit into their corresponding grooves on the valve drive's actuator axis. Their match depends on the diameter of the pin and groove.

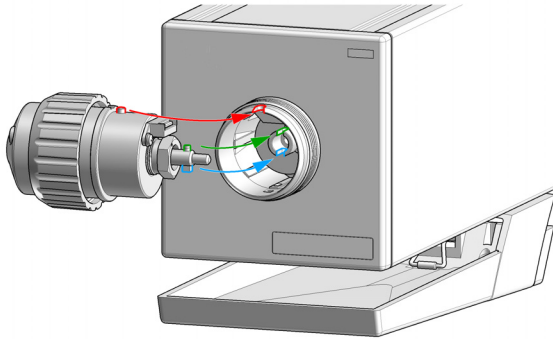
NOTE

The tag reader reads the valve head properties from the valve head RFID tag during initialization of the module. Valve properties will not be updated, if the valve head is replaced while the module is on. Selection of valve port positions can fail, if the instrument does not know the properties of the installed valve.

NOTE

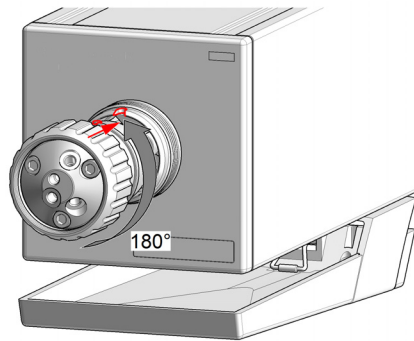
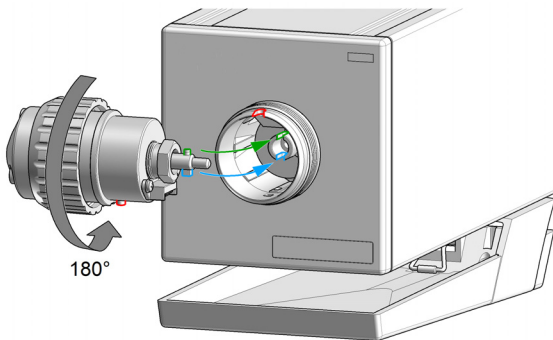
To allow correct valve identification, power off the module for at least 10 s.

1 Insert the valve head into the valve shaft.

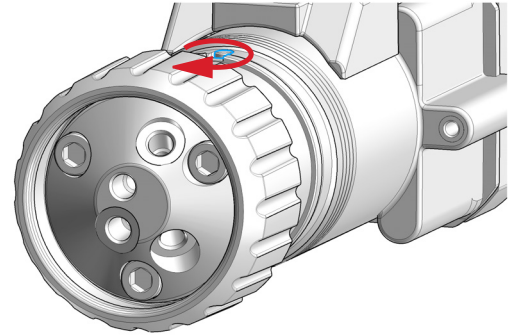


OR

If the outside pin does not fit into the outside groove, you have to turn the valve head until you feel that the two pins snap into the grooves. Now you should feel additional resistance from the valve drive while continuously turning the valve head until the pin fits into the groove.



2 When the outer pin is locked into the groove, manually screw the nut onto the valve head.



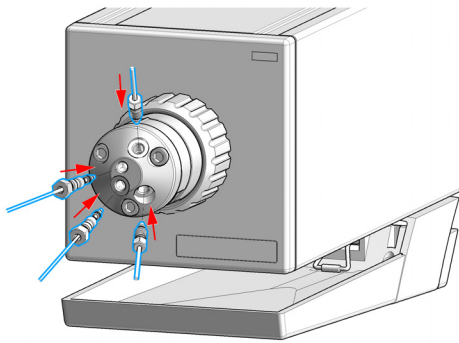
NOTE

Fasten the nut with the 5043-1767 Valve Removal tool.

Installation

Installation Instructions

3 Install all required capillary connections to the valve.



4 Power on or power-cycle your module, so the valve head gets recognized during module initialization.

Valve head parts information

Replacement Parts

Table 1 ASM Valve Head

Stator	Rotor	Bearing ring	Stator screws
5068-0239	5068-0240	5068-0257	5068-0019

NOTE

Capillaries:

Agilent Technologies recommends replacing ASM and transfer capillaries at the same time.

The ASM Valve Capillary Replacement Kit (5067-6721) contains a set of capillaries with matching back pressures and volumes.

**5067-6721 ASM
Valve Capillary
Replacement Kit**

p/n	Description
5500-1300	Capillary ST 0.12x85M/M ASM
5500-1301	Capillary ST 0.12x170M/M ASM
5500-1302	Capillary ST 0.12x340M/M ASM
5500-1303	Capillary ST 0.12x680M/M ASM
5500-1376	Capillary ST 0.12x170M/M transfer

Valve Head Parts

NOTE

The figure below illustrates replacement parts for the valve heads, with the 12ps/13pt selector valve as an example. The valves can vary in their appearance and do not necessarily include all of the illustrated parts. Neither, every spare part is available for each flavor of the valve.

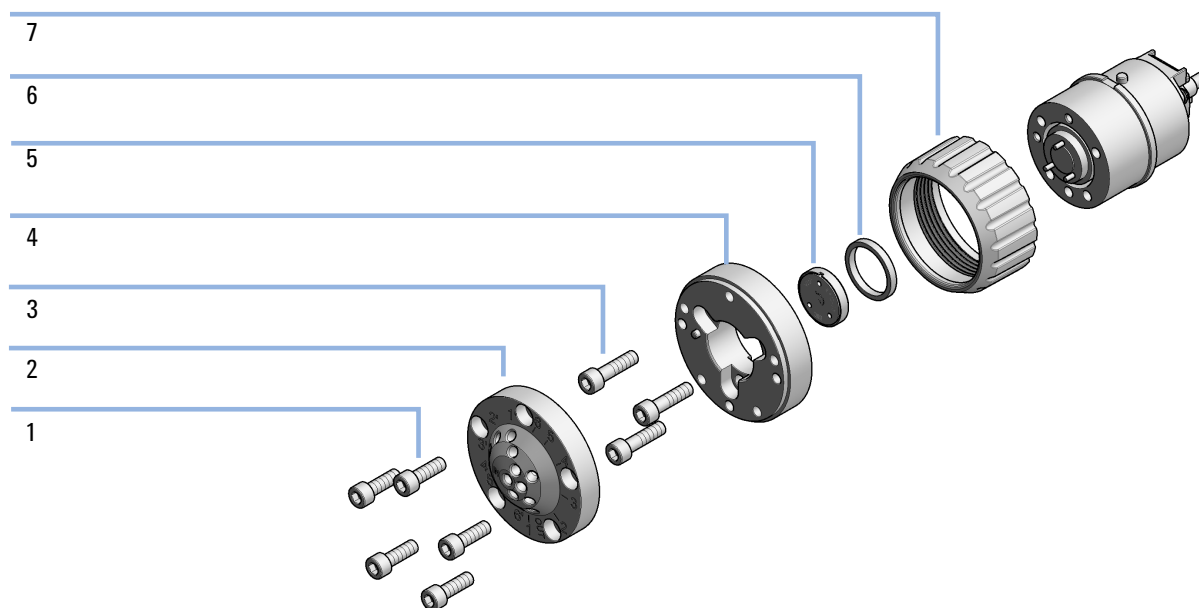


Figure 18 Valve Head Parts (example)

1	Stator screws
2	Stator head assembly
3	Stator ring screws (not available)
4	Stator ring (available for service only)
5	Rotor seal
6	Bearing ring
7	Spanner nut (available for service only)

Technical specifications

Table 2 Technical specifications

Max. Pressure:	1300 bar
Liquid Contacts:	Stainless Steel, PEEK
Connections:	Accepts 10-32 male threaded and M4 fittings

