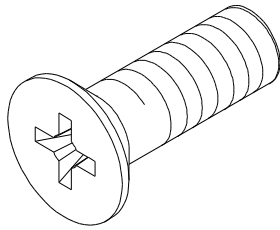
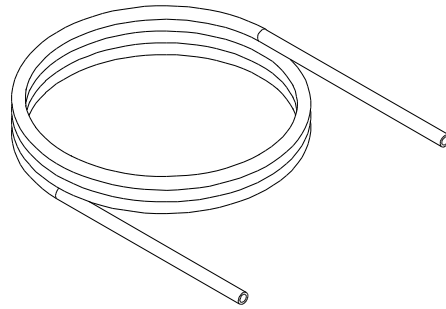


Installation Guide – Infinity 1032 & 1033 Generator

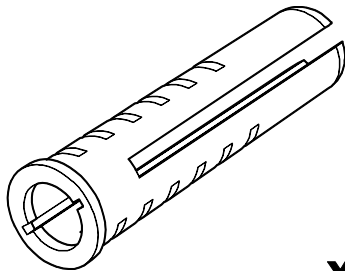
FITTINGS KIT



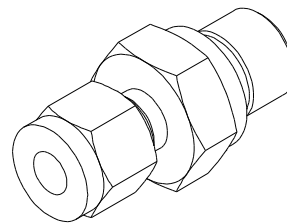
x4
No. 8 Screw 00-4075



x12m
1/4" Teflon Tubing 00-1266



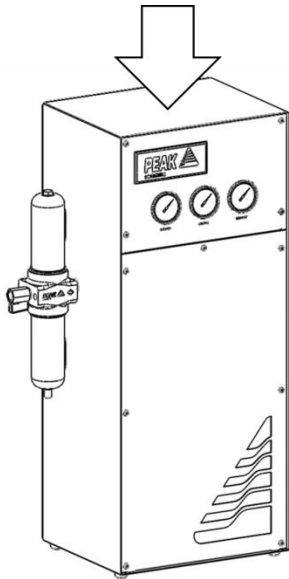
x4
No. 8 Wall Plug 00-4076



x3
1/4" x 1/4" Compression Fitting 02-4421

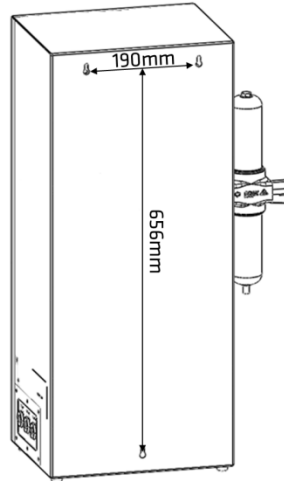
INSTALLATION

1.



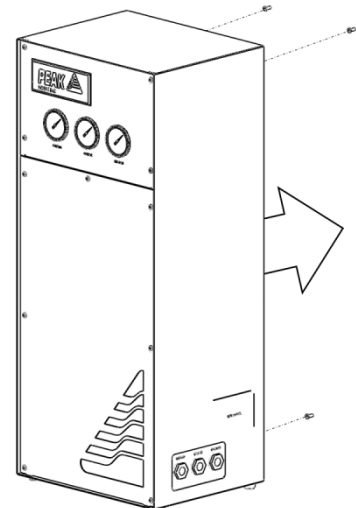
Unpack the generator from the shipping crate and place on a flat surface.

2.



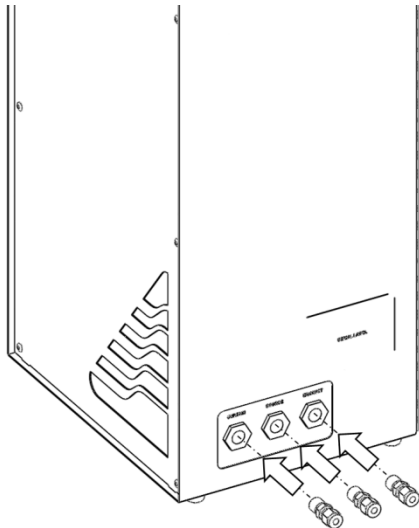
The generator can be wall mounted, shown above are the distances required between fittings.

3.



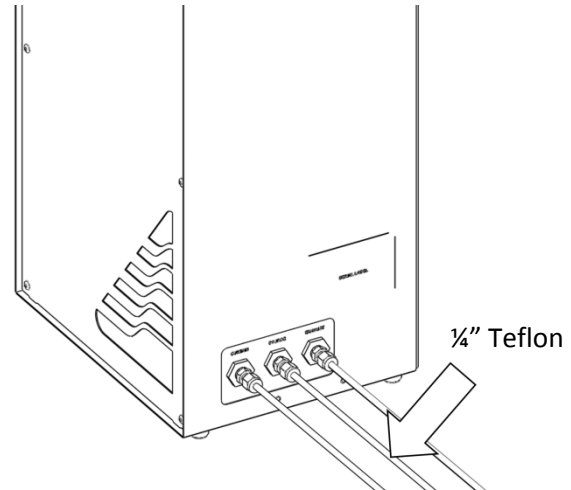
Using the wall plugs and screws provided, mount the generator to the wall in the desired location.

4.



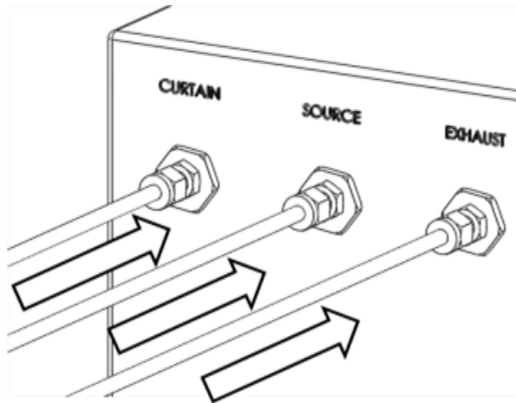
Select the 1/4" compression fittings and attach to the '**CURTAIN**' '**SOURCE**' and '**EXHAUST**' ports. It is recommended that PTFE tape is applied to the threads to ensure a leak-tight fit.

5.



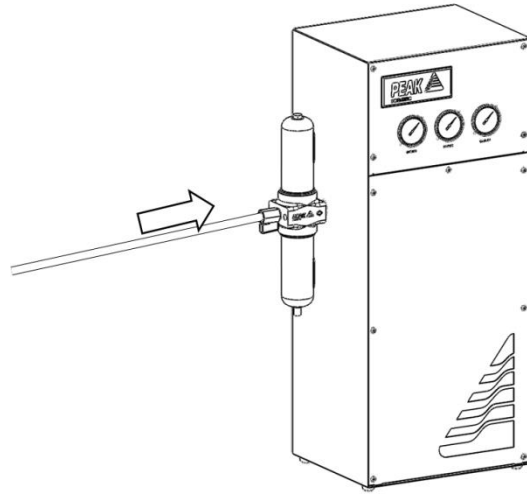
Select the 1/4" Teflon Tube and connect to the '**CURTAIN**' '**SOURCE**' and '**EXHAUST**' ports. If using the compression fitting ensure the internal olive is crimped securely.

6.



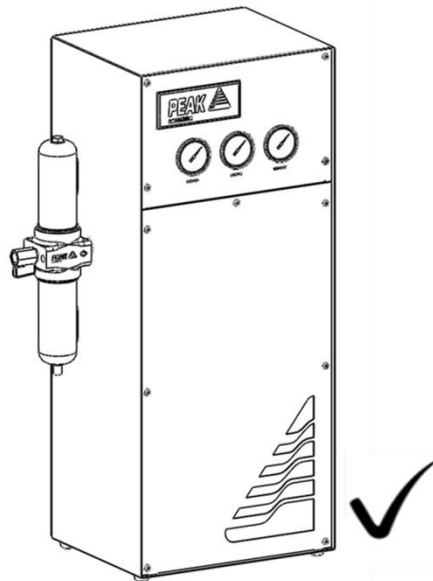
Connect the other end of the Teflon Tube to the instrument gas inputs; again ensure the fittings are securely fastened.

7.



Attach house air supply to BA filter at left side of generator. Ensure valve on filter is at the open position.

8.



CONGRATULATIONS

Your **PEAK SCIENTIFIC** gas generator is now fully installed, operational and ready to supply gas on demand to your instrument.

General Notes

* The 12m length of Teflon tube supplied in the fittings kit is to allow the generator to be installed adjacent to the instrument it is supplying. If the generator is to be installed further away from the instrument then attention needs to be paid to pressure drops that could occur. The maximum distance away from the instrument the generator can be placed still using 6mm (4mm internal diameter) or ¼" (3/16" internal diameter) tubing is 10m. For further information relating to tubing lengths please refer to the user manual.

For all other technical specifications, operating instructions, service requirements, contact details and trouble shooting, please refer to the user manual contained on the CD supplied in the fittings kit. Please keep this for future reference.



28.

It is very important to register your generator with PEAK SCIENTIFIC. This will initiate your warranty entitlement. Please use the form on the next page to register your generator. You will need the generators serial number which can be found on the serial label on the rear of the generator.

IMPORTANT DOCUMENTS

Warranty Entitlement

To register your generator for your warranty entitlement, send the completed form to Peak Scientific by:

- Email warranty@peakscientific.com
- Onlin http://www.peakscientific.com/service-and-support/warranty_registration
- Phone +44 (0)141 530 4185
- Fax +44 (0)141 812 8200

PRODUCT WARRANTY REGISTRATION	
COMPANY:	CONTACT NAME:
ADDRESS:	
	EMAIL ADDRESS:
CITY/TOWN:	GENERATOR SERIAL NUMBER:
POSTCODE:	
COUNTRY:	MODEL TYPE:
TELEPHONE:	INSTALLATION DATE (DD/MM/YYYY):

Important Please Note:

You have 1 month to register your Peak Scientific product from the date of shipment.

If you wish to defer installation of your generator you must notify Peak Scientific within 1 month of the shipment date. This can be done by emailing warranty@peakscientific.com Once registered the warranty will be honoured for a period of 12 months after the installation date.

For any generators that remain unregistered the warranty will begin from date of shipment.

Thank you on behalf of Peak Scientific.