

Six Seamless Ways to Improve Lab Efficiency

Agilent Ultivo triple quadrupole LC/MS

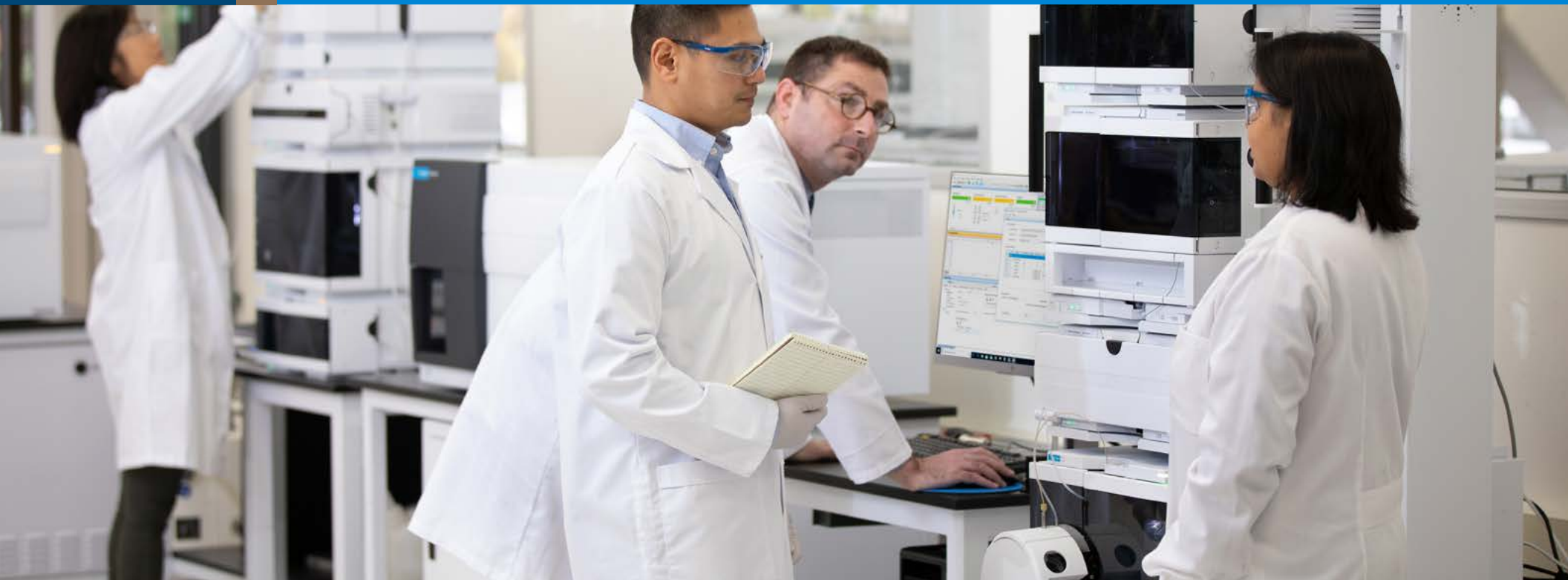




Remove the Hurdles to More Powerful LC/TQ Performance

You've probably heard that Agilent Ultivo gives you the same power as the traditional LC/TQs in a stackable bench-saving system. And you know that upgrading your LC/TQ system can help your lab improve sample throughput, expand analytical capacity, and meet demands for quality data. However, you may be worried about learning curves and other workflow disruptions.

Here are six ways that Ultivo can help your lab overcome the complexity of adding a new LC/TQ system.



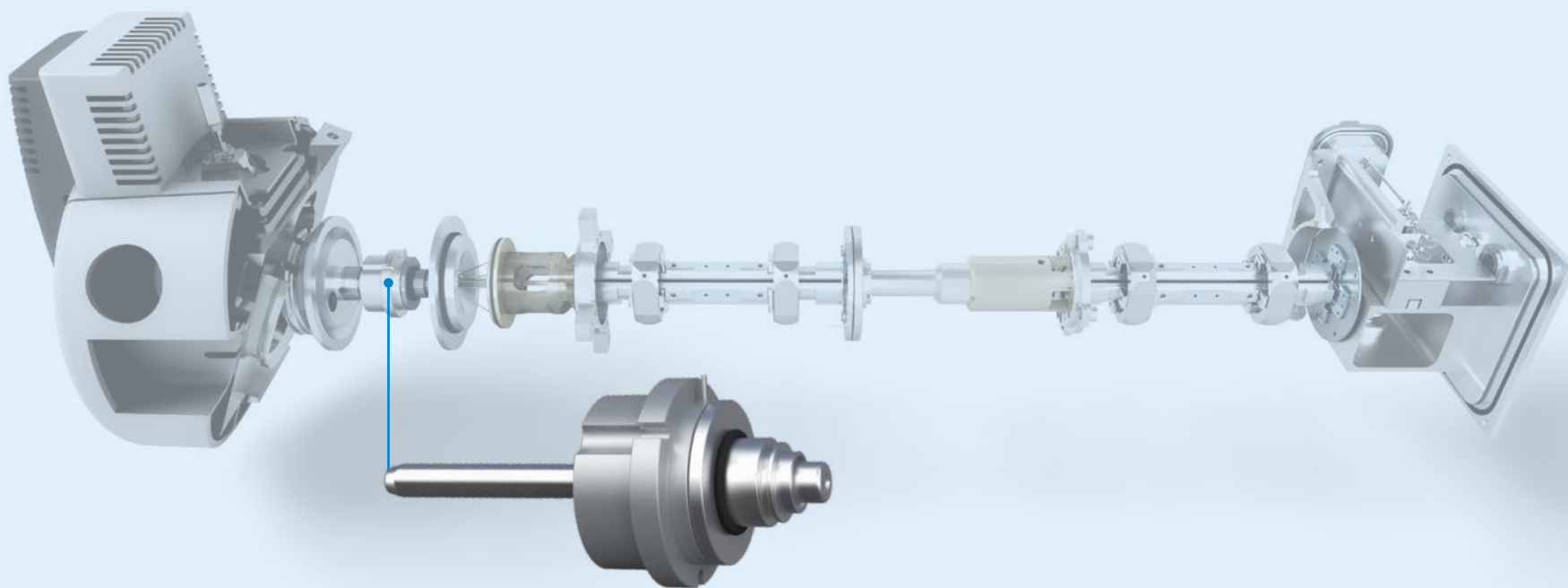
1. Maximize laboratory real estate

The Ultivo LC/TQ footprint is 70% smaller than the footprint of similar LC/TQ systems. That means Ultivo can fit right into the stack of an Agilent InfinityLab LC system series, giving you triple the bench space.

What's more, the Agilent InfinityLab Flex Bench MS integrates LC modules—including pumps, autosampler, thermal column compartment, and solvent tray—with Ultivo into one movable unit. It's ideal for labs that intermittently require LC/MS capability or would prefer a single movable unit.



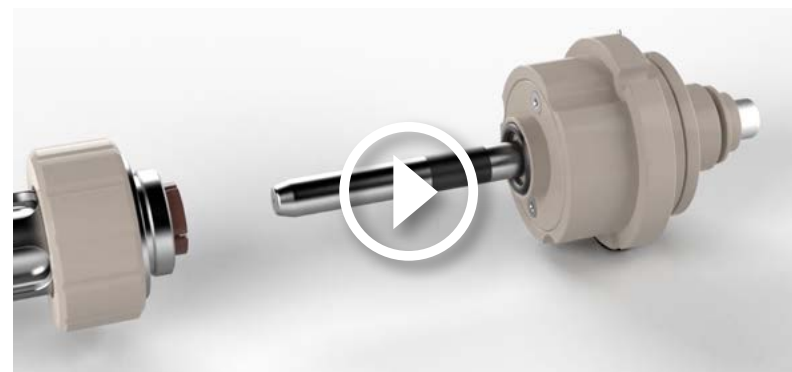
See for yourself how paring Ultivo with the Flex Bench MS can give your lab more flexibility with less stress.



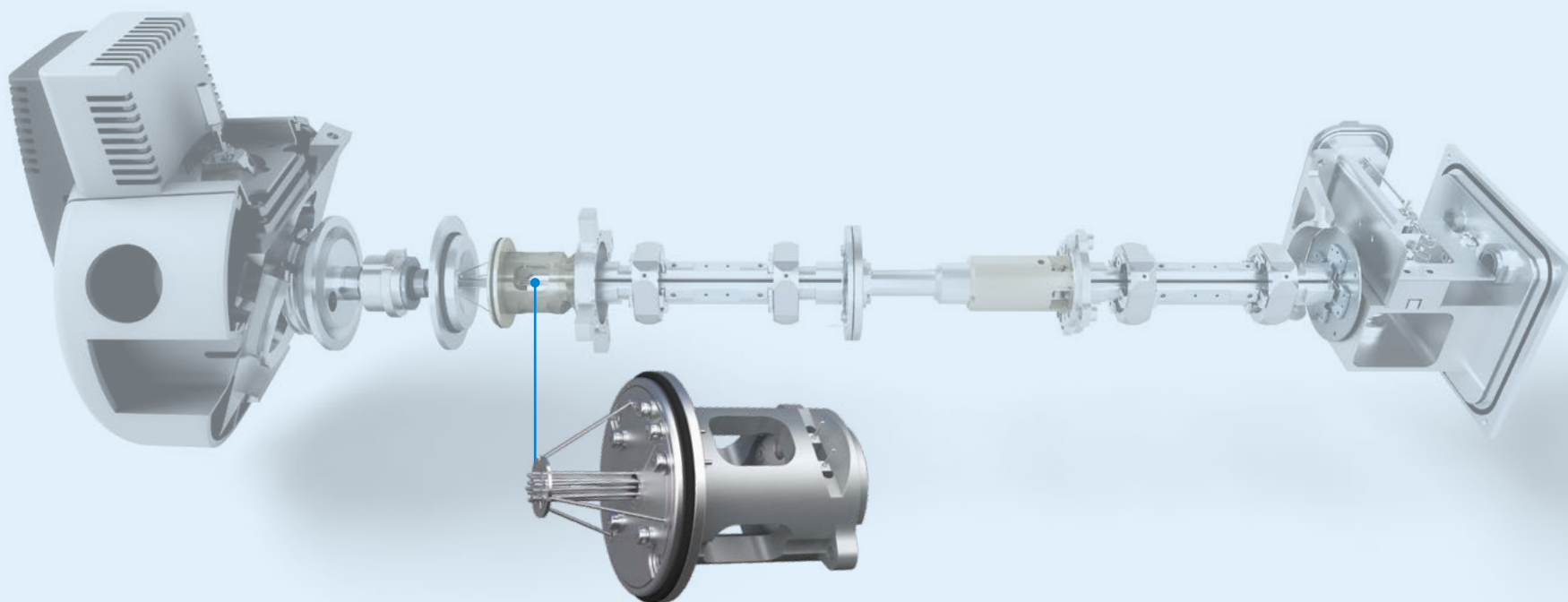
2. Optimize lab technician productivity

VacShield allows analysts to quickly and easily perform maintenance on the MS—without venting—freeing up valuable time to focus on science.

How it works: When the analyst removes an ion injector capillary, a sealing mechanism is automatically triggered. The instrument remains in “standby,” maintaining the necessary temperatures and vacuum levels for immediate operation after ion injector capillary maintenance.



Want a closer look at how VacShield simplifies MS maintenance?
Watch our Innovation Minute.



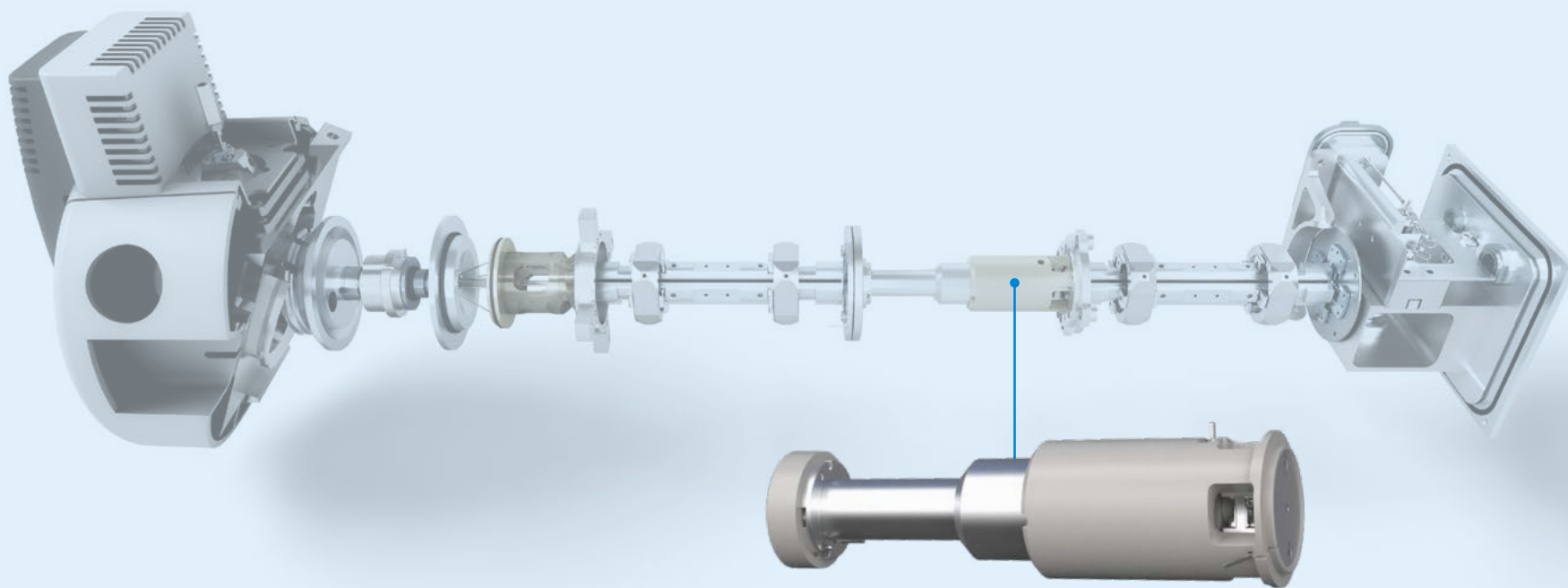
3. Produce better results

More ions mean better, more reproducible results, and the Cyclone Ion Guide makes sure that the largest number of ions reaches the detector.

The Cyclone Ion Guide has a resistive inner hexapole energized with confining RF voltages and a DC bias voltage to prevent ion stalling. Its twisted and tapered inner hexapole enables phase space compression of the ion beam for efficient acceptance into the quadrupole mass filter. This twisting increases the pressure drop, focusing the ion beam over the shortest possible distance.



Take a closer look at the Cyclone Ion Guide's combination of great science and creative engineering in our Innovation Minute.



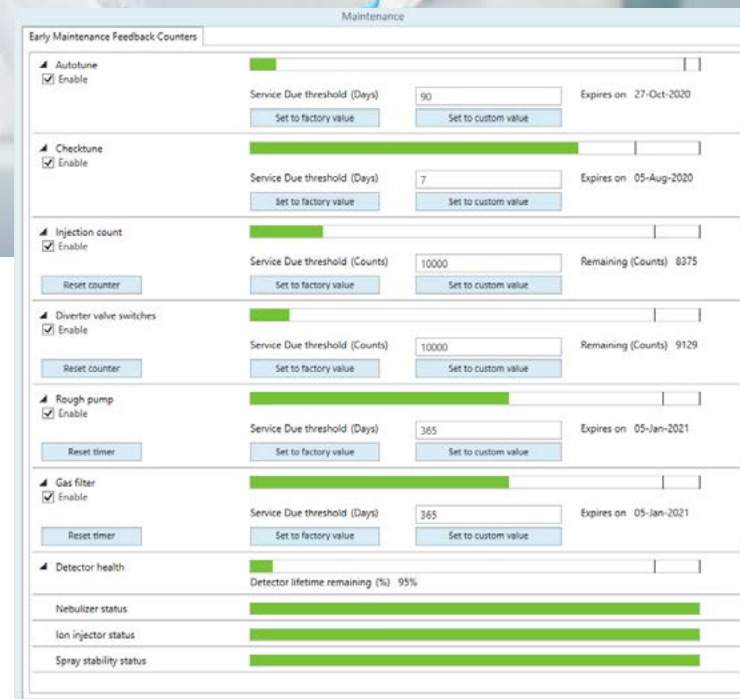
4. Increase sample throughput

Chances are, your lab is testing higher sample volumes every week—while adding multiresidue methods that require several hundred analytes each.

The Vortex collision cell, built into Ultivo, can help you overcome these challenges by combining faster scanning with the confidence you need to do more, quickly. It provides efficient ion dissociation, improved ion focusing and transmission, and rapid cell clearance between mass transitions. So you can achieve more MRMs per second, eliminate cross-talk, and remove background noise.



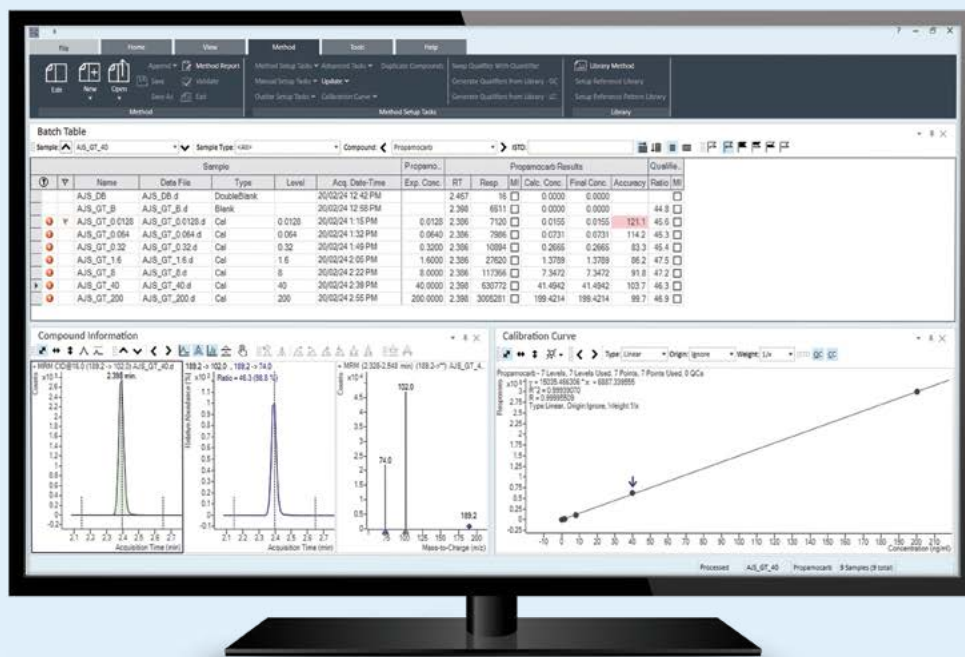
To see the Vortex collision cell in action, watch our Innovation Minute.



5. Increase uptime with planned maintenance

Ultivo makes it easy to boost lab productivity and lower your cost of ownership. Early maintenance feedback (EMF) allows your lab to plan for maintenance downtime instead of reacting when the instrument loses sensitivity or exhibits poor performance. It monitors the use of specific system components, and alerts you when the user-selectable limits are exceeded. This allows you to schedule maintenance procedures accordingly.

Avoid unexpected downtime with easy-to-configure counters and timers, which allow you to set the limits that you want for your workflows.



6. Reduce your reporting time

MassHunter Quantitative Analysis software is a feature-packed tool for performing quantitative analysis on an Agilent triple quadrupole LC/MS. However, it can also be intimidating and confusing for nonexpert users.

Quant-My-Way lets you create your own streamlined version of MassHunter Quantitative Analysis, focusing on the features that matter most to your lab and your specific assays. This boosts user efficiency and lab productivity.



Our new video gives you step-by-step instructions for customizing MassHunter Quantitative Analysis software features for specific workflows and user types.

Agilent CrossLab services

CrossLab is an Agilent capability that integrates services and consumables to support workflow success and important outcomes like improved productivity and operational efficiency. Through CrossLab, Agilent strives to provide insight in every interaction to help you achieve your goals. CrossLab offers method optimization, flexible service plans, and training for all skill levels. We have many other products and services to help you manage your instruments and your lab for best performance.

Learn more about Agilent CrossLab, and see examples of insight that leads to great outcomes, at www.agilent.com/crosslab



Find a local Agilent customer center in your country:

<https://www.agilent.com/chem/contactus>

U.S. and Canada

1-800-227-9770

agilent_inquiries@agilent.com

Europe

info_agilent@agilent.com

Asia Pacific

inquiry_lsca@agilent.com

DE. 6336342593

This information is subject to change without notice.

© Agilent Technologies, Inc. 2020
Published in the USA, October 12, 2020
5994-2726EN

